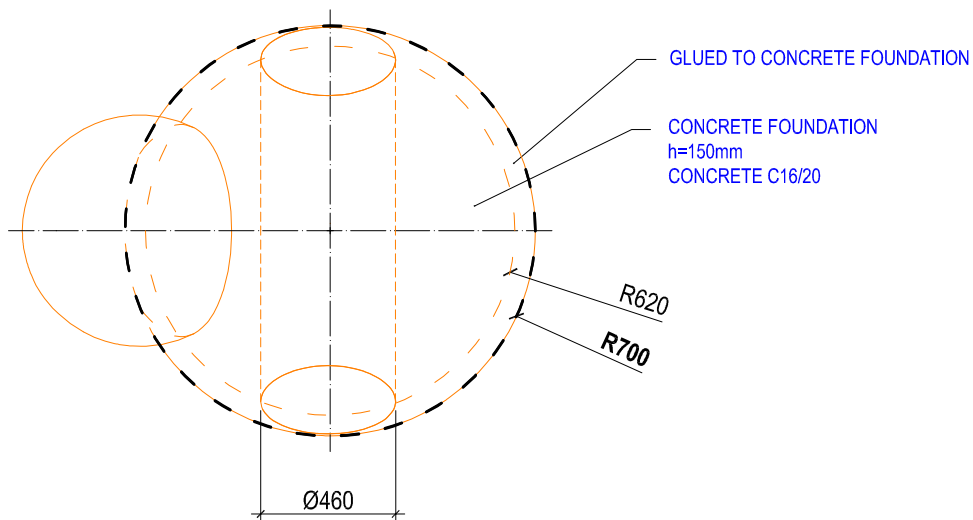
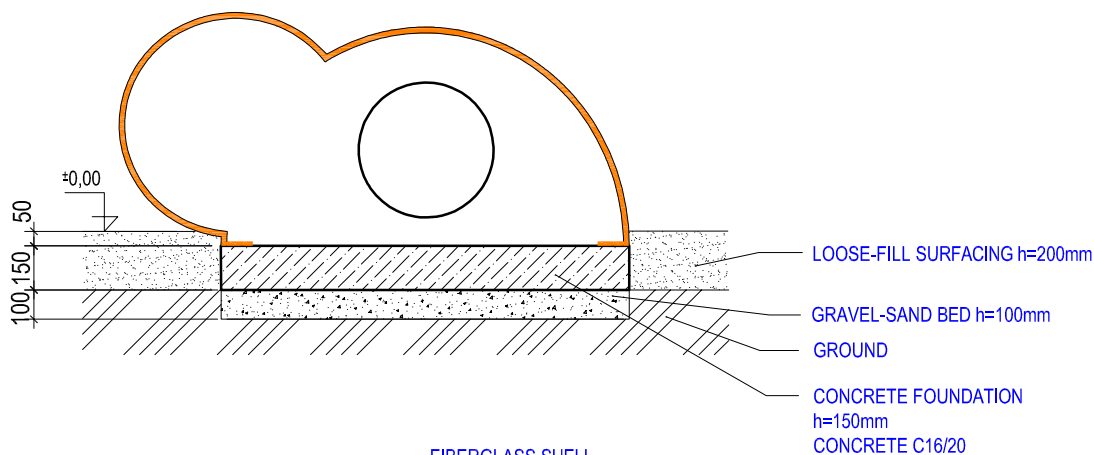


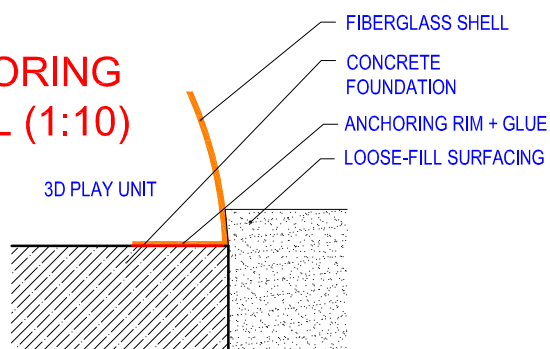
## GROUND PLAN (1:25)




## SECTION (1:25)



## ANCHORING DETAIL (1:10)



Author:		3D PROGRAM, s.r.o.	
MgA. Maxmilián Blšták		Objízdná 1911 765 02 Otrokovice Tel: 602 500 045 Email: Info@3dprogram.eu	
3D PLAY UNIT ANCHORING - LOOSE-FILL SURFACING		Certified according to	EN71 , EN1176
C01 - LADYBIRD C05 - DUCK C13 - SNAIL		Date of issue	22.2.2021
Foundation and anchoring - ground plan and section		M 1:25, 1:10	format 1xA4
		C_EN.dwg	revision 0