

LADYBIRD



PRODUCT COMPOSITION

fiberglass shell, SBR, EPDM/TPV, aliphatic PU binder, powder-coated galvanized metal parts

COLOR COMBINATION

standard: black / bright red / white
(other combination on request)

COLOR STABILITY

UV stable

RECOMMENDED SAFETY SURFACE

rubber surfacing (min. 1500 mm around the product)
or an equivalent shock-absorbing surface compliant with EN1177

PRODUCT SAFETY

certified according to EN1176
complies with ASTM F1487 and CAN/CSA Z614

INSTALLATION

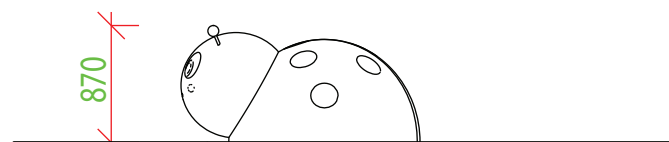
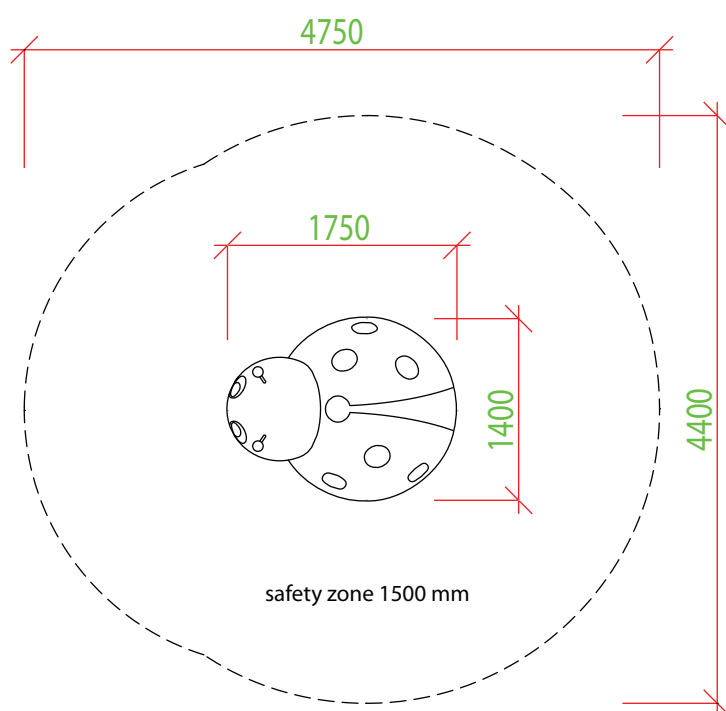
the product is installed onto a concrete foundation

PACKAGING

wrapped in plastic and delivered on a pallet 1650 x 2100 mm

STORAGE

in original packaging on a pallet
in temperatures between - 40° C and 50° C



Our products are handmade, please allow dimensional tolerance up to 40 mm

110 kg weight	870 mm critical fall height	1 hr assembly time	2 - 10 yrs users' age	5 max. number of users	1750 x 1400 x 870 mm dimensions
-------------------------	---------------------------------------	------------------------------	---------------------------------	----------------------------------	---

3D PROGRAM, s.r.o.

Objízdná 1911
Otrokovice 765 02
Czech Republic



MADE IN EU

www.3dprogram.eu
info@3dprogram.eu
+420 602 500 045 +420 577 700 718

