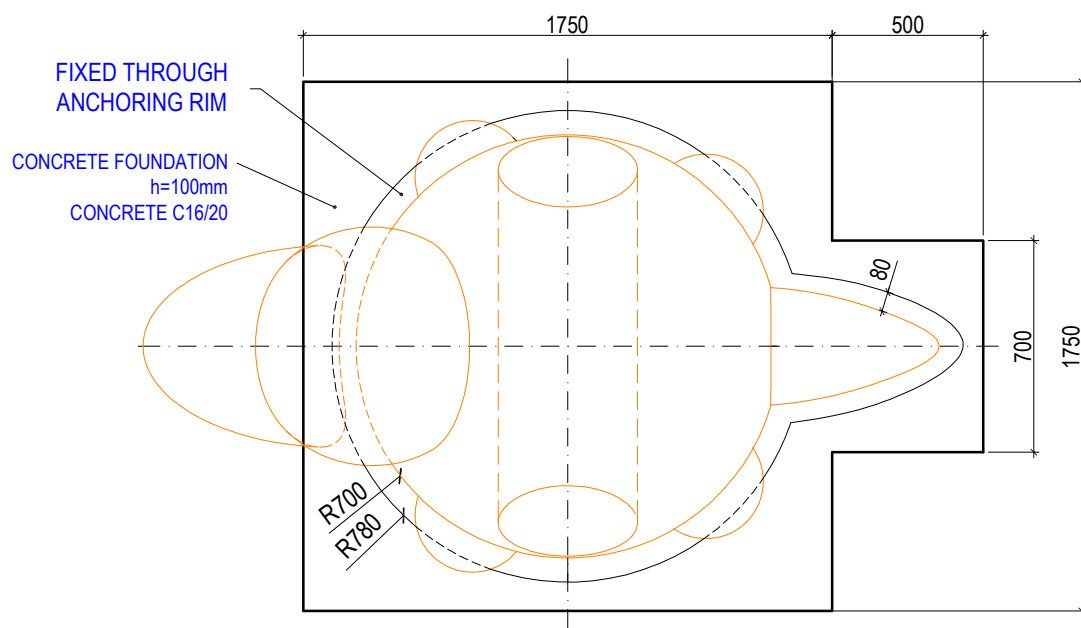
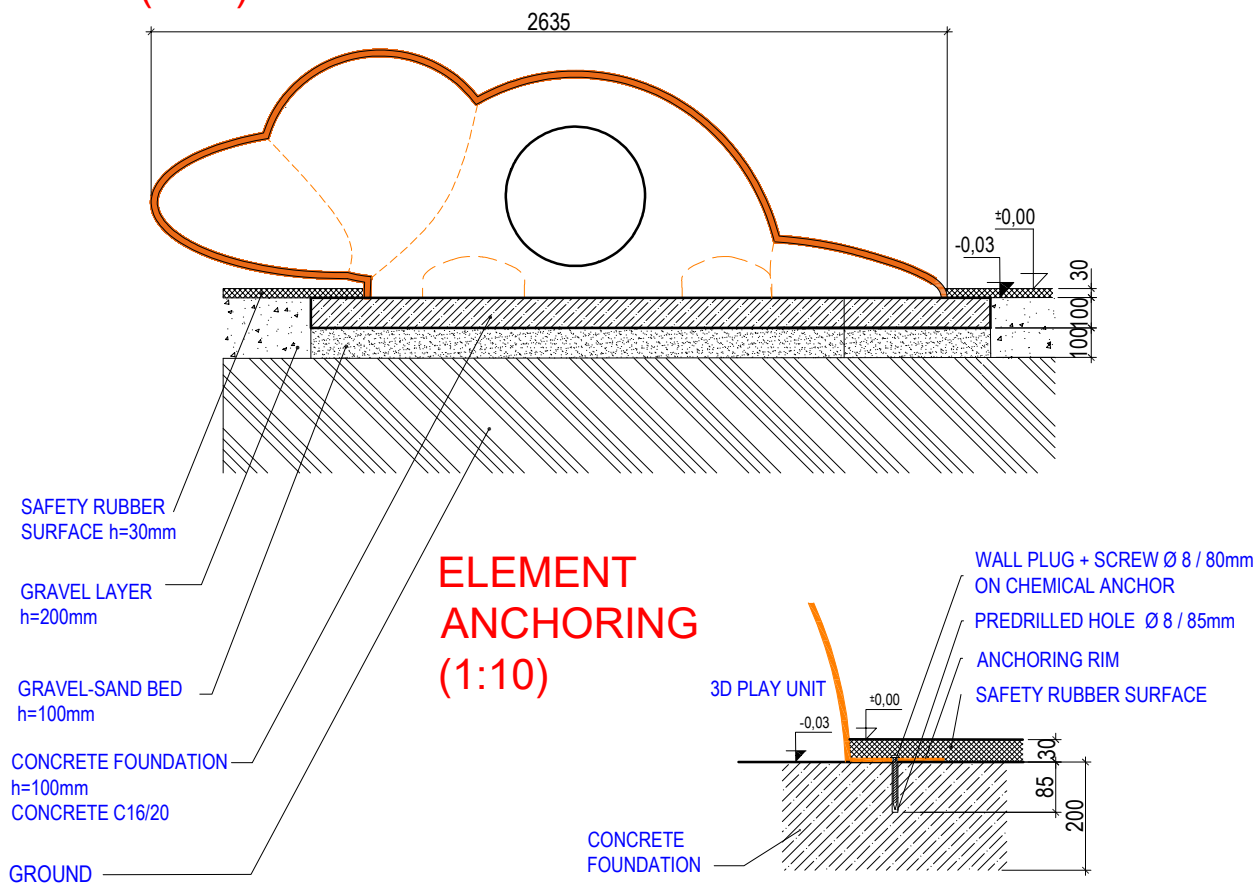


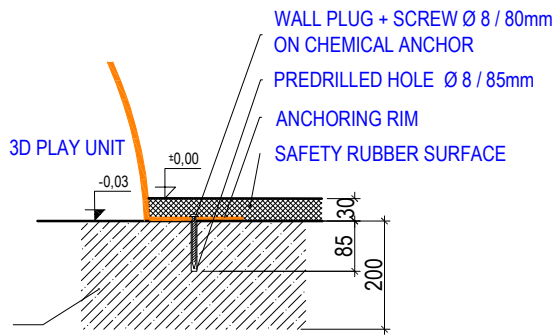
## GROUND PLAN (1:25)



## SECTION (1:25)



## ELEMENT ANCHORING (1:10)



Author:

BcA. Daniel Nad

3D PROGRAM, s.r.o.

Objizdná 1911  
765 02 Otrokovice

Tel: 602 500 045  
Email: info@3dprogram.eu



# TECHNICAL DRAWING

Certified according to EN71 , EN1176

Date of issue 02.02.2024

C34, C34tp, C34ts - DRAGON

M 1:25, 1:10

format 1xA4

Foundation and anchoring - ground plan and section

C34\_EN.dwg

revision 0