

# ANT



### PRODUCT COMPOSITION

SBR+EPDM rubber granules, aliphatic PU binder, vandal-resistant fiberglass shell, metal parts

### COLOR COMBINATION

standard: black / white / brown / red  
(other combination on request)

### COLOR STABILITY

UV stable

### RECOMMENDED SAFETY SURFACE

safety rubber surface in the area of 1500mm around the product (according to EN1177)

### PRODUCT SAFETY

certified according to EN1176  
complies with ASTM F1487 and CAN/CSA Z614

### INSTALLATION

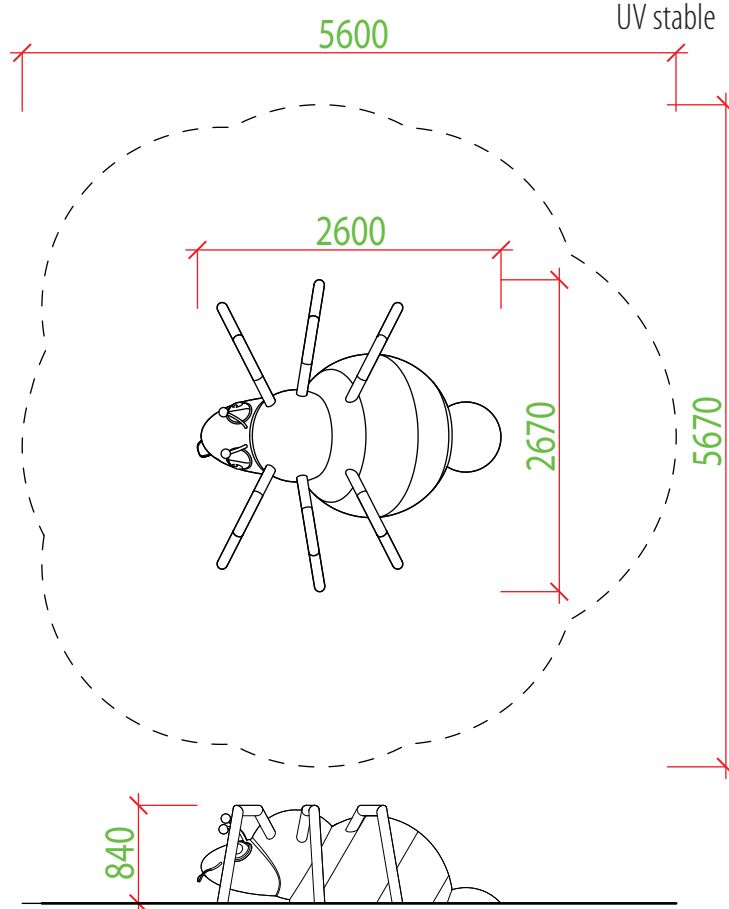
the product is installed onto a concrete foundation

### PACKAGING

wrapped in plastic and delivered on a pallet 2100 x 2100mm

### STORAGE

in original packaging on a pallet  
in temperatures between - 40° C and 50° C



Our products are handmade, please allow dimensional tolerance up to 40 mm

<b>210 kg</b> weight	<b>840 mm</b> critical fall height	<b>2 h</b> assembly time	<b>2 - 10 yrs</b> users' age	<b>5</b> max. number of users	<b>2670 x 2600 x 840 mm</b> dimensions
-------------------------	---------------------------------------	-----------------------------	---------------------------------	----------------------------------	---

### 3D PROGRAM, s.r.o.

Objízdna 1911  
Otrokovice 765 02  
Czech Republic



MADE IN EU

www.3dprogram.eu  
info@3dprogram.eu  
+420 602 500 045 +420 577 700 718

