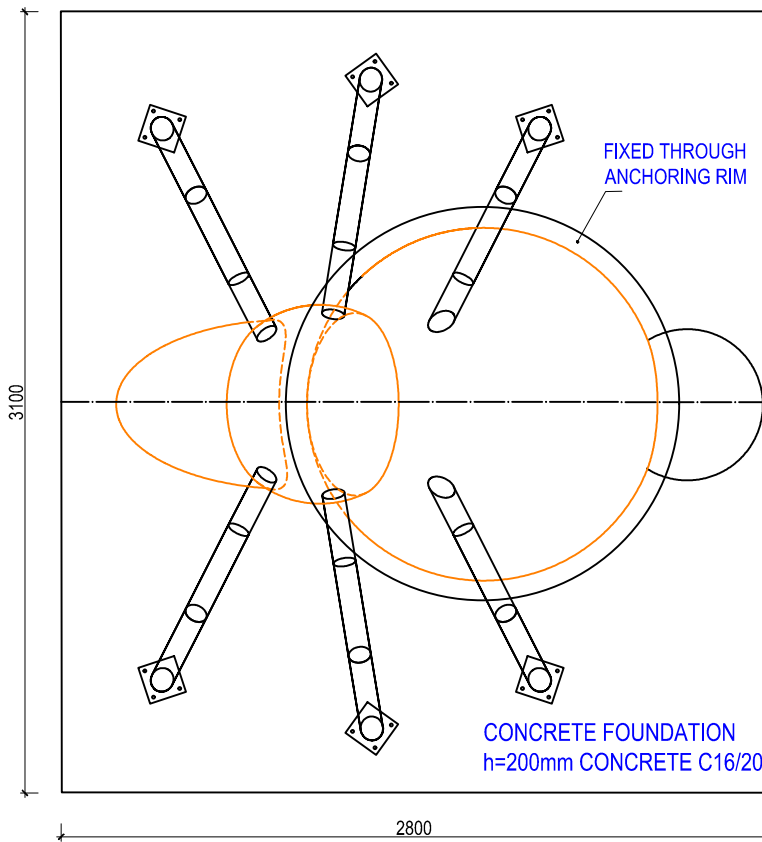
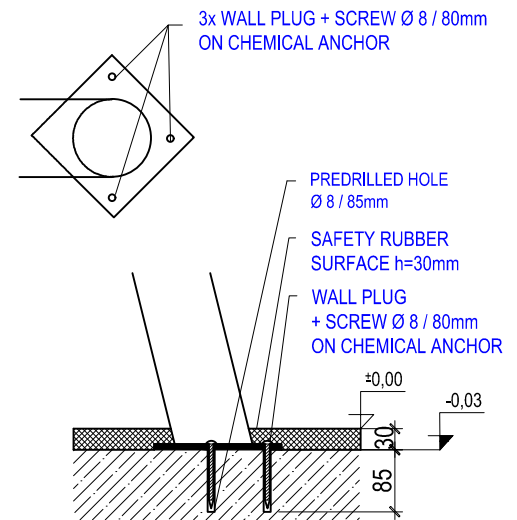


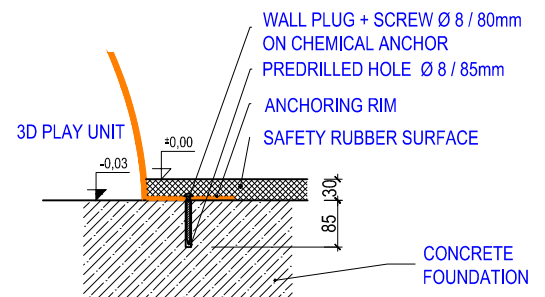
GROUND PLAN (1:30)



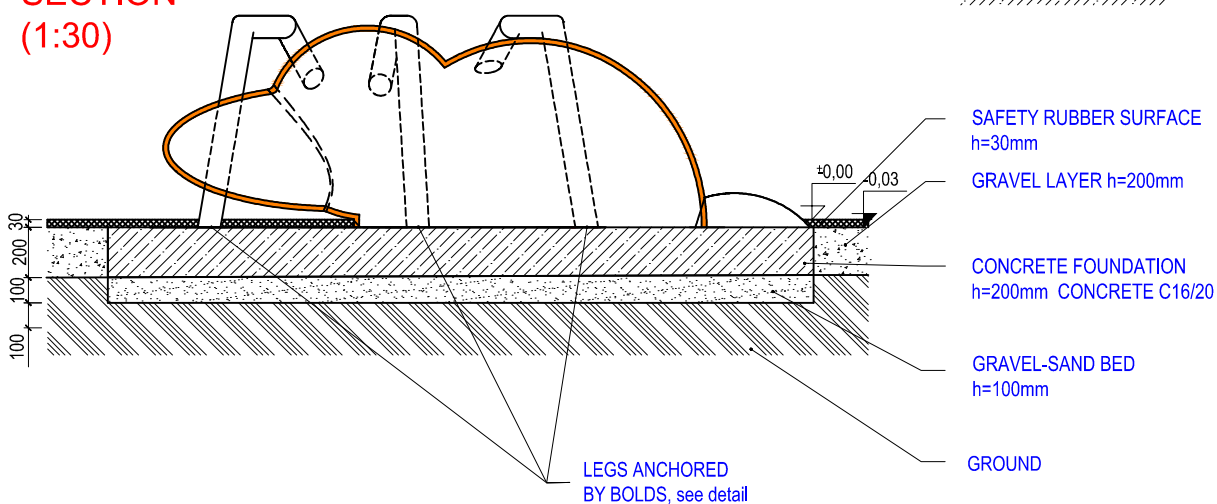
"LEG" ANCHORING DETAIL (1:10)



ANCHORING DETAIL (1:10)



SECTION (1:30)



Author:

BcA. Daniel Nad

3D PROGRAM, s.r.o.

Objizdná 1911
765 02 Otrokovice

Tel: 602 500 045
Email: info@3dprogram.eu



TECHNICAL DRAWING

Certified according to EN71 , EN1176

Date of issue 02.02.2024

C37 - ANT

M 1:30, 1:10

format 1xA4

Foundation and anchoring - ground plan and section

C37_EN.dwg

revision 0