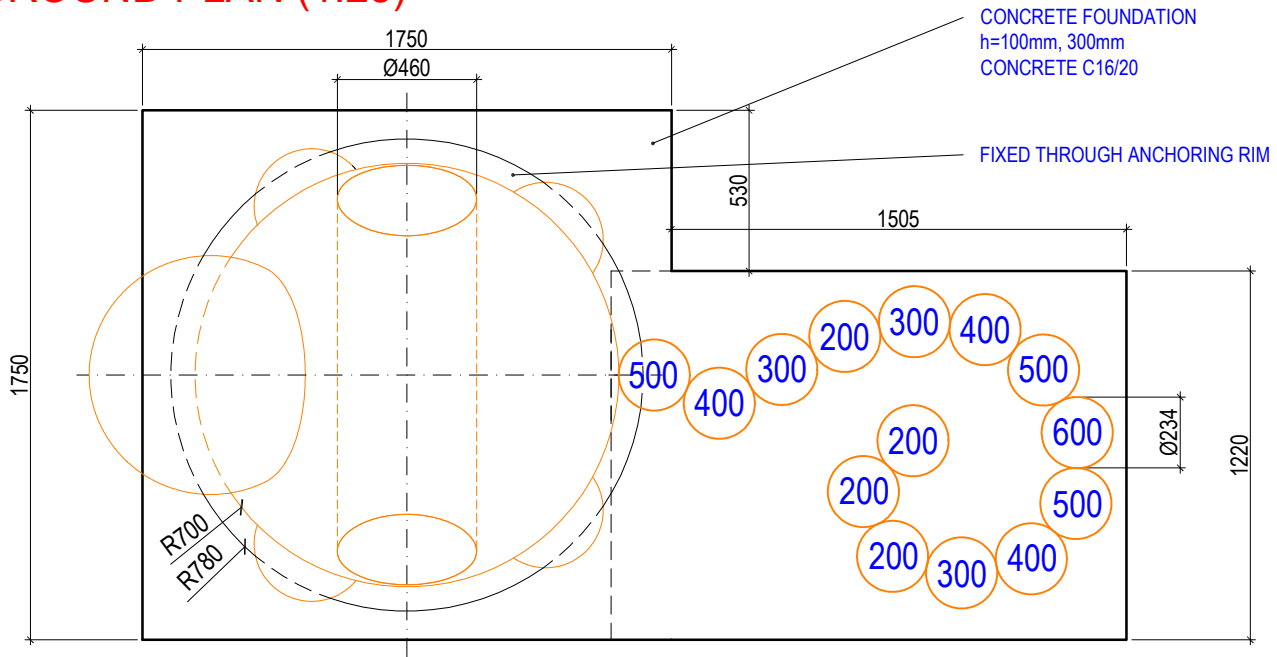
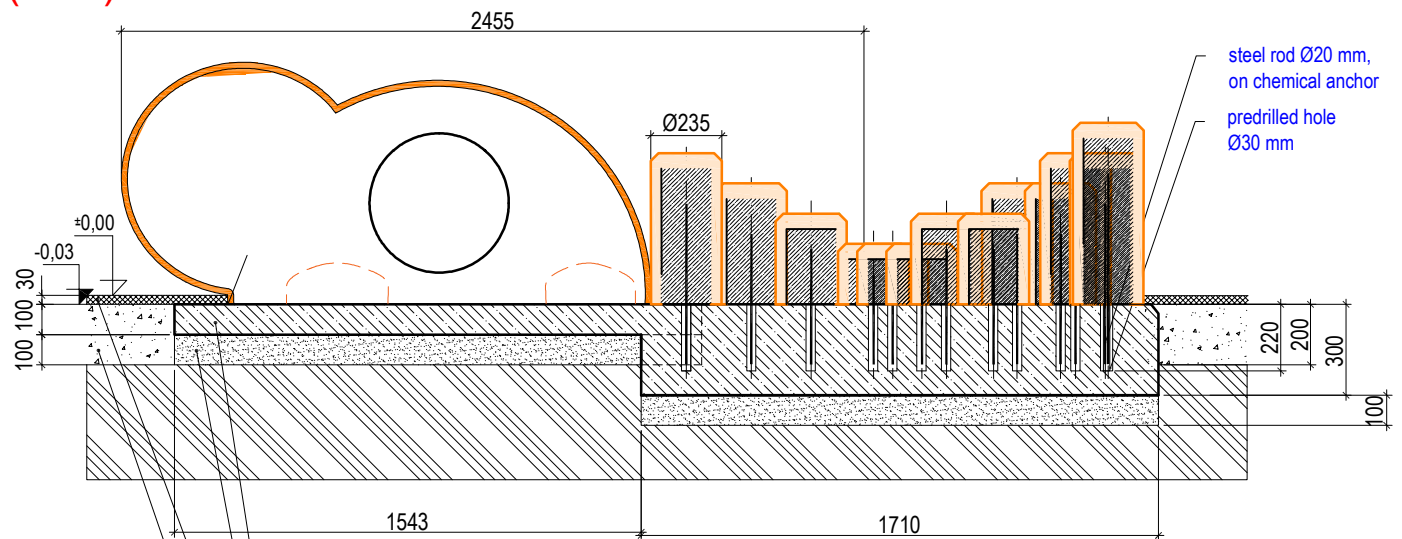


GROUND PLAN (1:25)



SECTION (1:25)



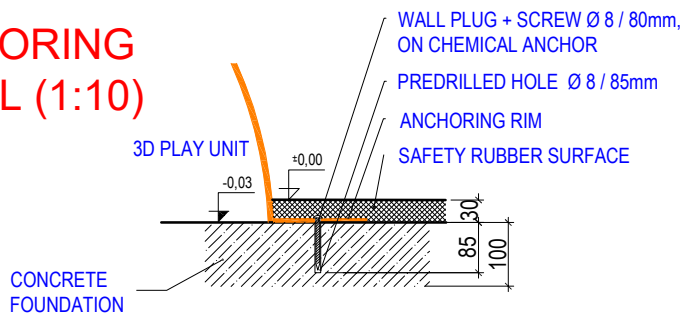
ANCHORING DETAIL (1:10)


CONCRETE FOUNDATION
h=100mm, 300mm
CONCRETE C16/20

GRAVEL-SAND BED
h=100mm

SAFETY RUBBER
SURFACE h=30mm

GRAVEL LAYER
h=200mm



Author:		3D PROGRAM, s.r.o.	
BcA. Daniel Nad'		Objizdná 1911 765 02 Otrokovice	
		Tel: 602 500 045 Email: info@3dprogram.eu	
TECHNICAL DRAWING		Certified according to	EN71 , EN1176
		Date of issue	02.02.2024
C38, C38ts, C38tp - CHAMELEON		M 1:25, 1:10	format 1xA4
Foundation and anchoring - ground plan and section		C38_EN.dwg	revision 0