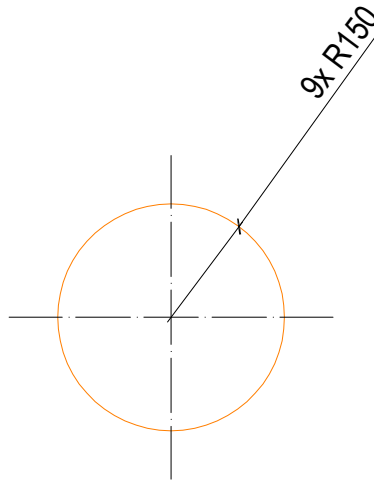
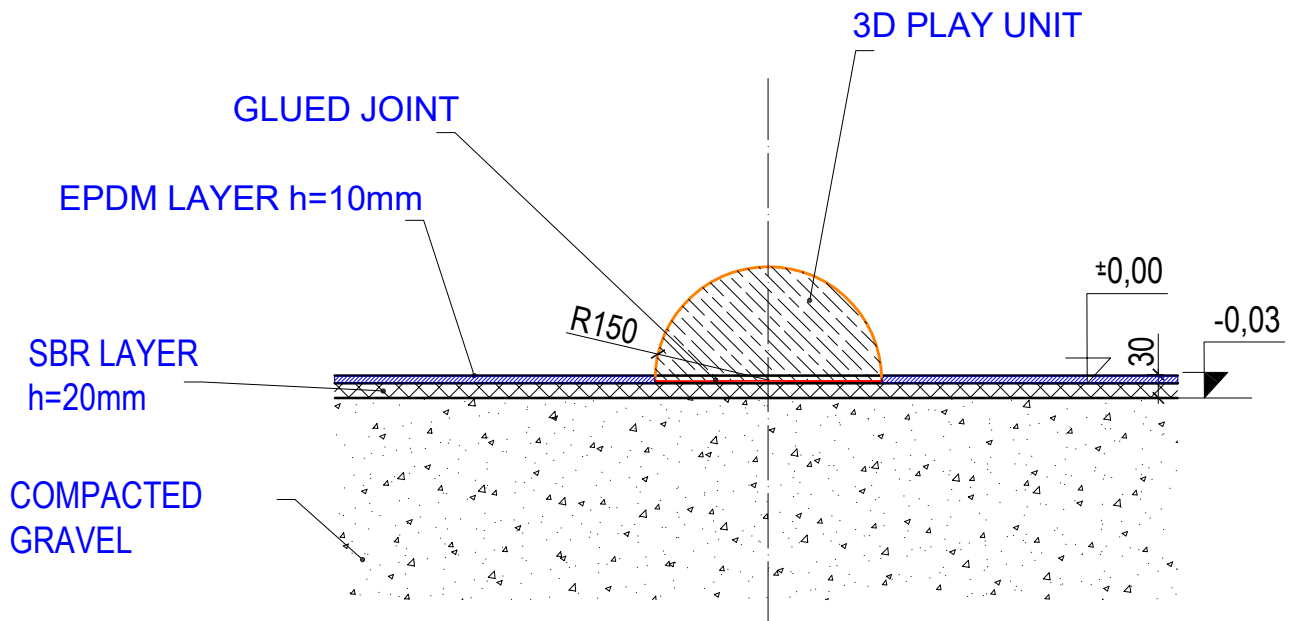



GROUND PLAN (1:10)



SECTION (1:10)



Author:		3D PROGRAM, s.r.o. Objizdná 1911 765 02 Otrokovice, Czech Republic Tel: 602 500 045 Email: info@3dprogram.eu	
BcA. Daniel Nad			
<h1>TECHNICAL DRAWING</h1>	Certified according to	EN71 , EN1176	
	Date of issue	02.02.2024	
	HALF SPHERE HOPSCOTCH - B11	M 1:10	format 1xA4
Foundation and anchoring - section	B11_EN.dwg	revision 0	