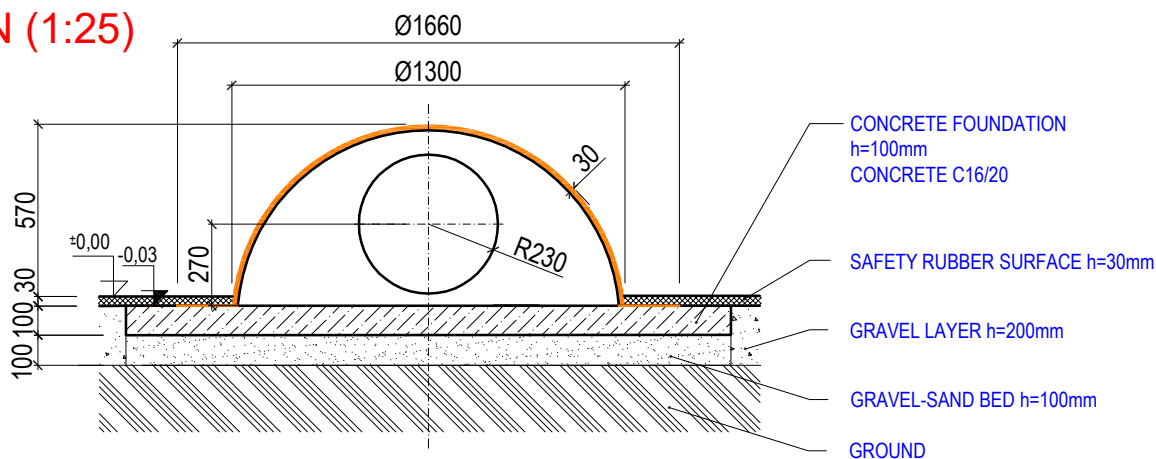
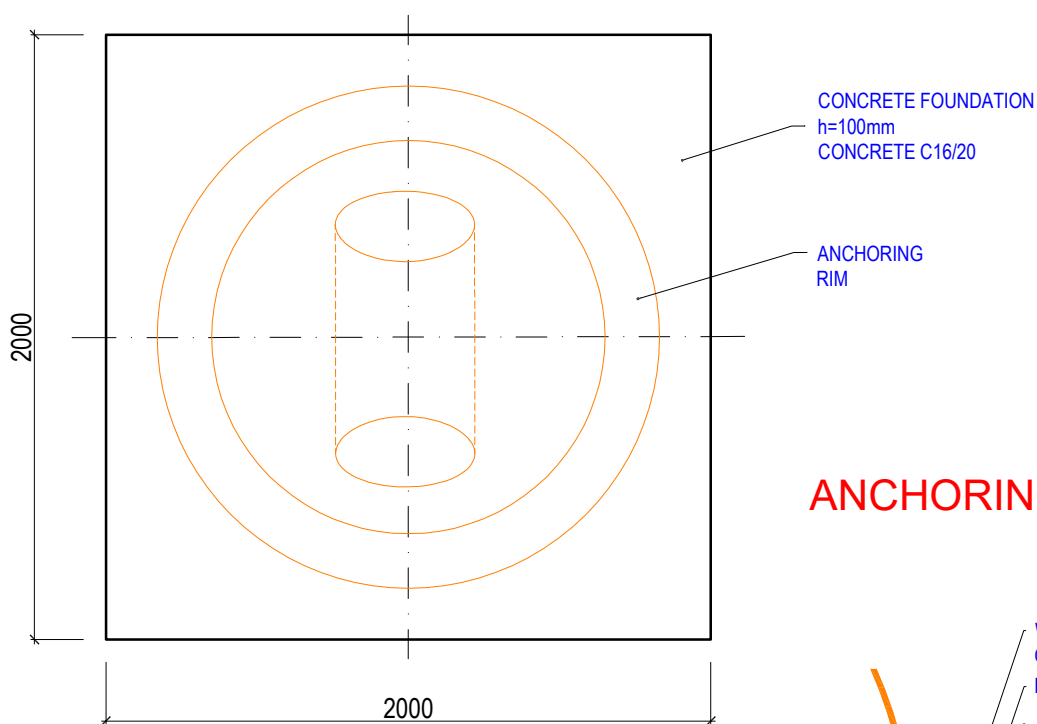


## SECTION (1:25)

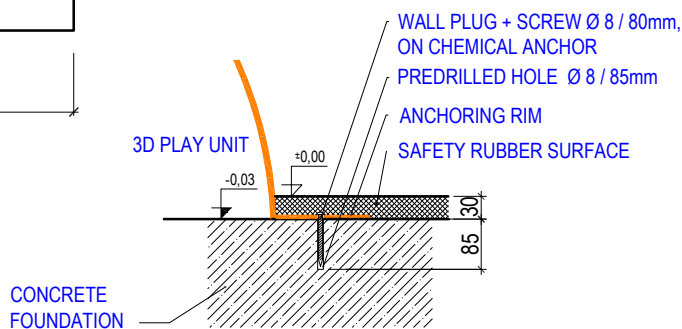



## FOUNDATION GROUND PLAN (1:25)



Tube can be either from PVC  
or stainless steel as per customer's request

## ANCHORING DETAIL (1:10)



Author:		<b>3D PROGRAM, s.r.o.</b> Objízdná 1911 765 02 Otrokovice, Czech Republic Tel: +420 602 500 045 Email: info@3dprogram.eu	
BcA. Daniel Nad			
<h1>TECHNICAL DRAWING</h1>		Certified according to	EN71 , EN1176
		Date of issue	02.02.2024
<h2>E16t - METEORITE</h2>		M 1:25, 1:10	format 1xA4
Foundation and anchoring - ground plan and section		E16t_EN.dwg	revision 0