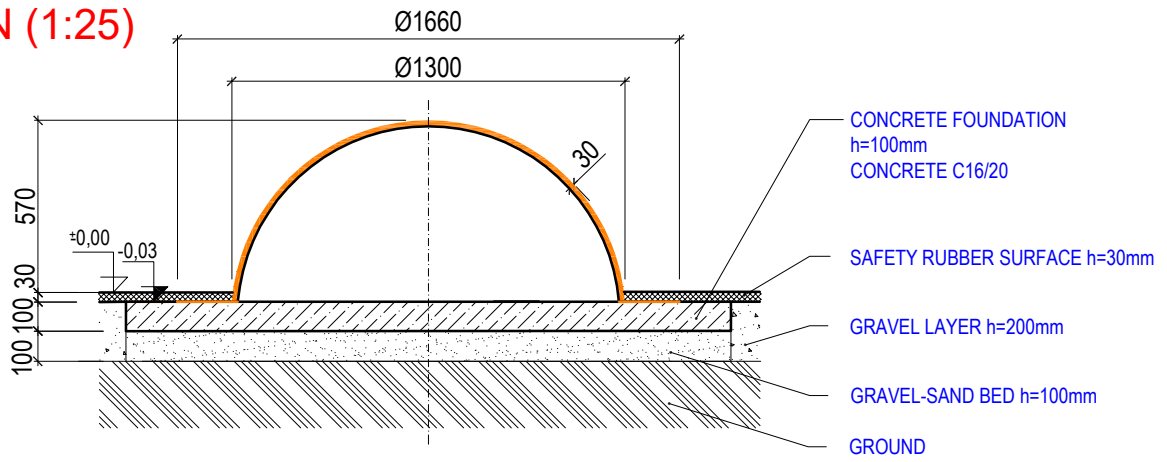
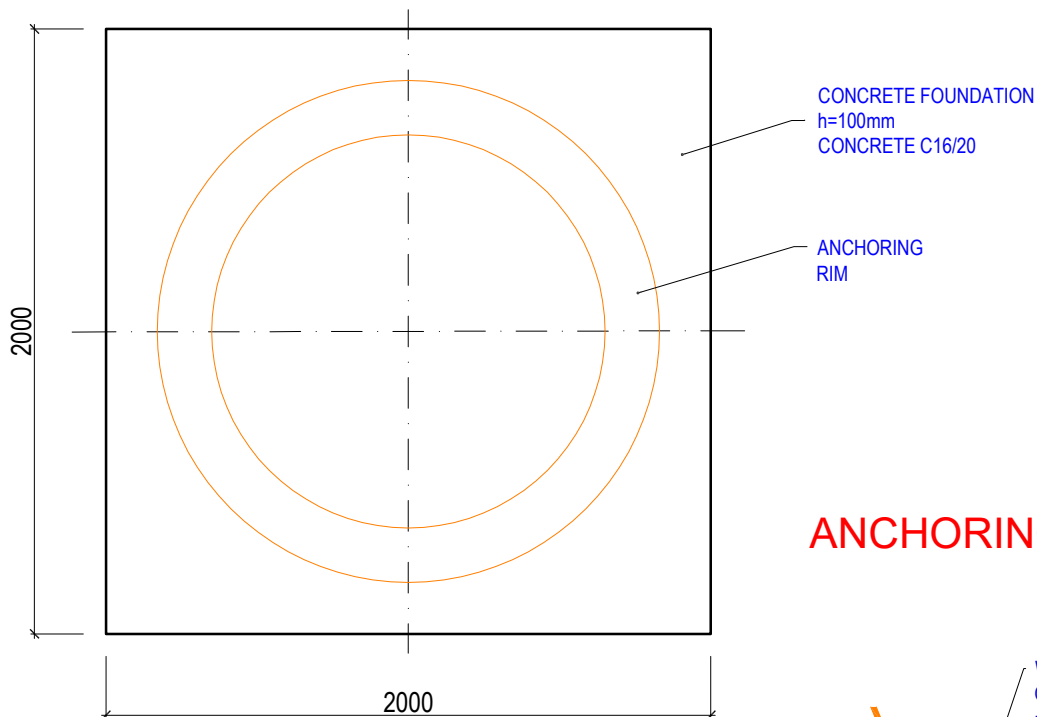


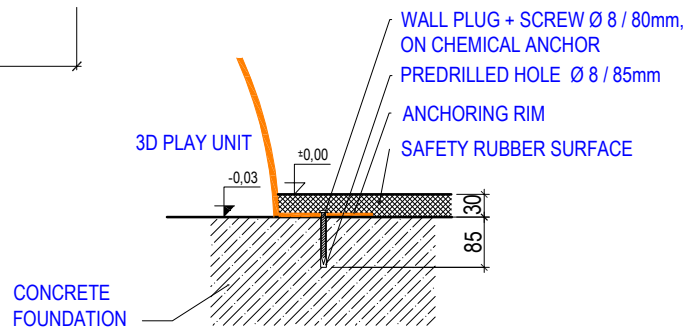
SECTION (1:25)




FOUNDATION GROUND PLAN (1:25)



ANCHORING DETAIL (1:10)



Author:		3D PROGRAM, s.r.o.	
BcA. Daniel Nad		Objizdná 1911 765 02 Otrokovice, Czech Republic Tel: +420 602 500 045 Email: info@3dprogram.eu	
<h1>TECHNICAL DRAWING</h1>		Certified according to	EN71 , EN1176
		Date of issue	02.02.2024
<h2>E17-L - SPIKY HILL</h2>		M 1:25, 1:10	format 1xA4
<h3>Foundation and anchoring - ground plan and section</h3>		E17-L_EN.dwg	revision 0