

# SALAMANDER

with tube

## PRODUCT COMPOSITION

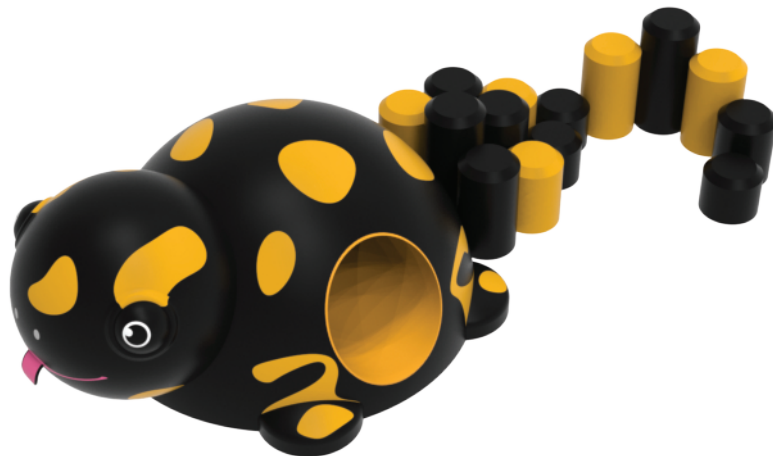
fiberglass shell, SBR, EPDM/TPV, aliphatic PU binder, powder-coated galvanized metal parts, SBR + LECA mix, PVC tube (opt. inox)

## COLOR COMBINATION

standard: black / ocher / white/ pink  
(other combination on request)

## COLOR STABILITY

UV stable



Product is offered either with PVC or inox tube Ø460 mm.

## RECOMMENDED SAFETY SURFACE

rubber surfacing (min. 1500 mm around the product) or an equivalent shock-absorbing surface compliant with EN1177

## PRODUCT SAFETY

certified according to EN1176  
complies with ASTM F1487 and CAN/CSA Z614

## INSTALLATION

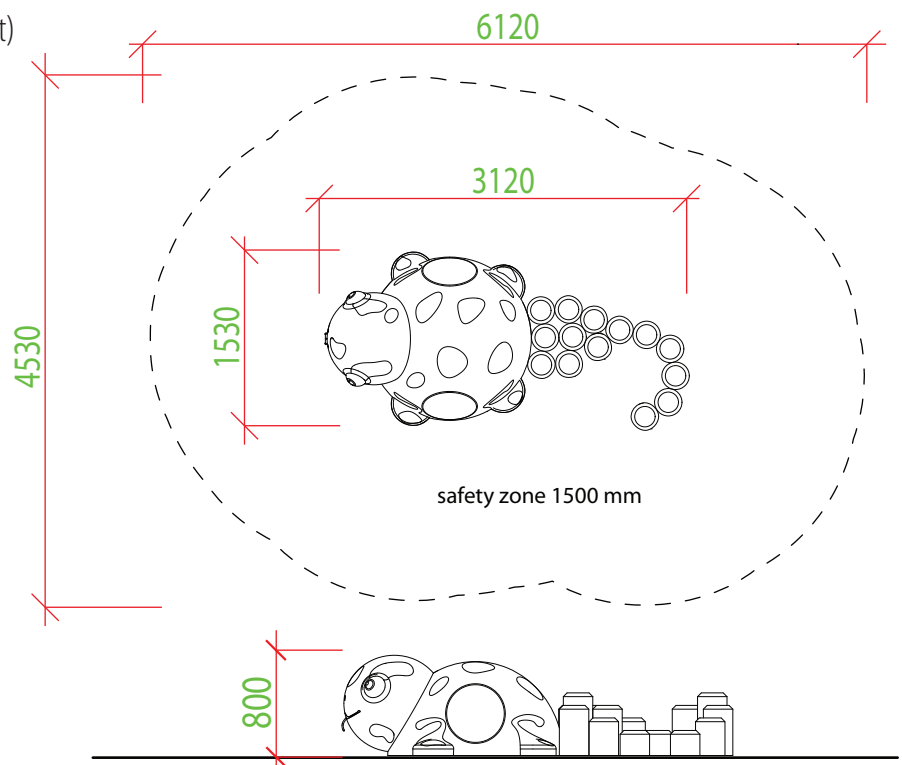
the product is installed onto a concrete foundation

## PACKAGING

wrapped in plastic and delivered on a pallet 2100 x 2100 mm

## STORAGE

in original packaging on a pallet  
in temperatures between - 40° C and 50° C



Our products are handmade, please allow dimensional tolerance up to 40 mm

<b>360 kg</b> weight	<b>800 mm</b> critical fall height	<b>2 h</b> assembly time	<b>2 - 10 yrs</b> users' age	<b>5</b> max. number of users	<b>3120 x 1530 x 800 mm</b> dimensions
-------------------------	---------------------------------------	-----------------------------	---------------------------------	----------------------------------	---

## 3D PROGRAM, s.r.o.

Objízdná 1911  
Otrokovice 765 02  
Czech Republic



MADE IN EU

www.3dprogram.eu  
info@3dprogram.eu  
+420 602 500 045 +420 577 700 718

