

# KOALA

## PRODUCT COMPOSITION

fiberglass shell, SBR, EPDM/TPV,  
aliphatic PU binder

## COLOR COMBINATION

standard: white / light grey / black / pink /  
green / eggshell  
(other combination on request)

## COLOR STABILITY

UV stable



## RECOMMENDED SAFETY SURFACE

rubber surfacing (min. 1500 mm around the product)  
or an equivalent shock-absorbing surface compliant  
with EN1177

## PRODUCT SAFETY

certified according to EN1176  
complies with ASTM F1487 and CAN/CSA Z614

## INSTALLATION

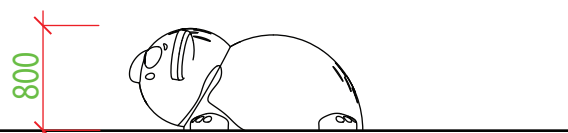
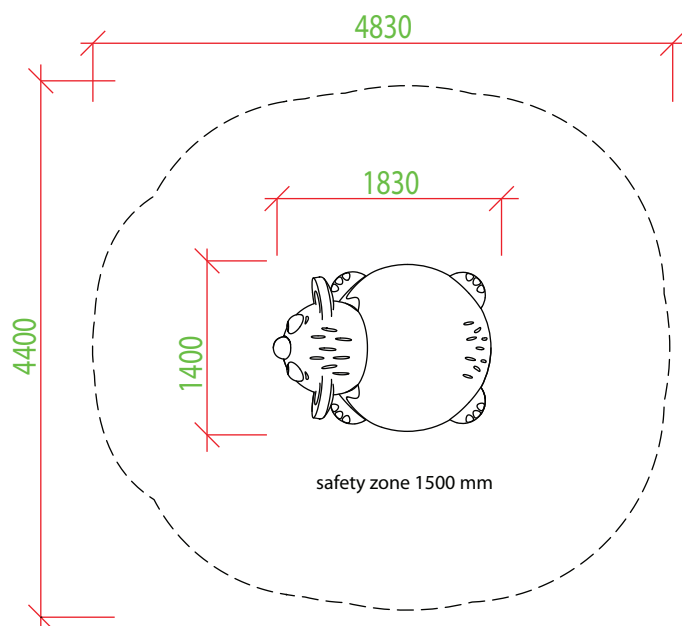
the product is installed onto a concrete foundation

## PACKAGING

wrapped in plastic and delivered  
on a pallet 1650 x 2100 mm

## STORAGE

in original packaging on a pallet  
in temperatures between - 40° C and 50° C



Our products are handmade, please allow dimensional tolerance up to 40 mm

<b>180 kg</b> weight	<b>800 mm</b> critical fall height	<b>1 h</b> assembly time	<b>2 - 10 yrs</b> users' age	<b>5</b> max. number of users	<b>1830 x 1400 x 800 mm</b> dimensions
-------------------------	---------------------------------------	-----------------------------	---------------------------------	----------------------------------	---

## 3D PROGRAM, s.r.o.

Objízdná 1911  
Otrokovice 765 02  
Czech Republic



MADE IN EU

www.3dprogram.eu  
info@3dprogram.eu  
+420 602 500 045 +420 577 700 718

