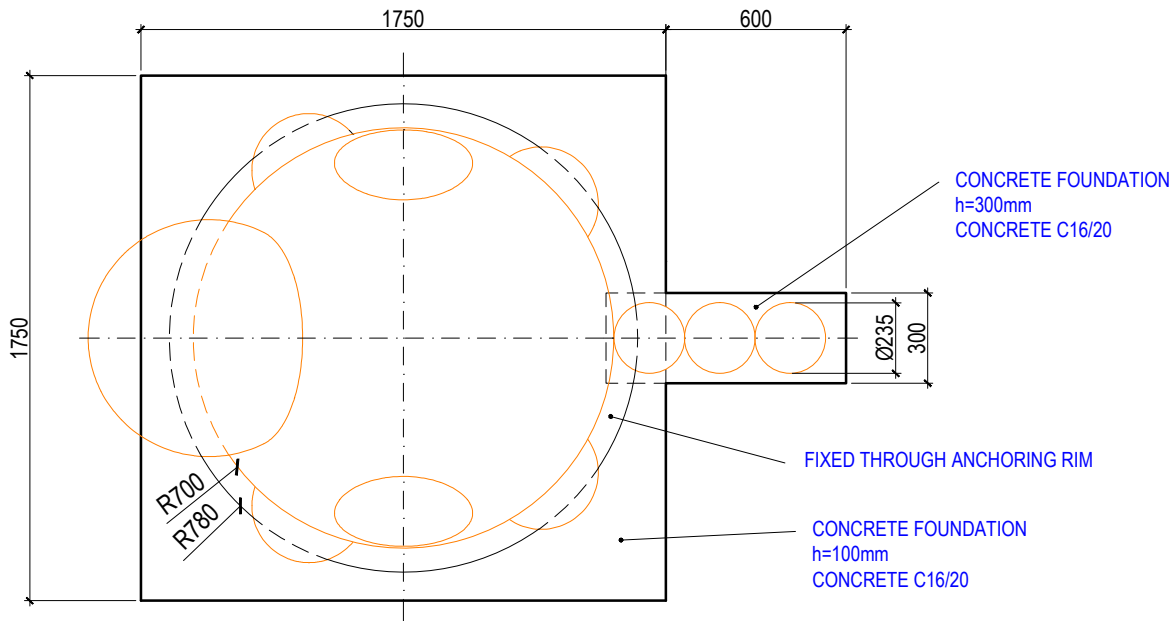
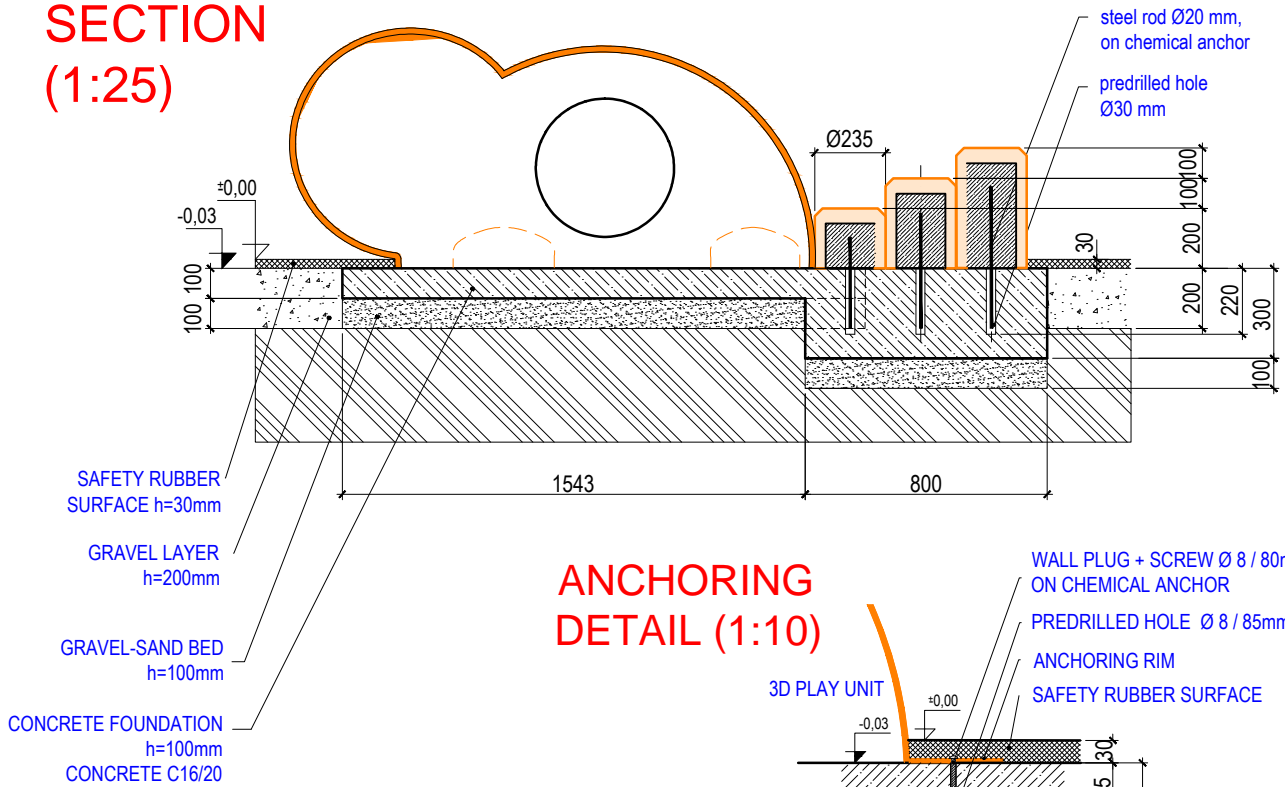


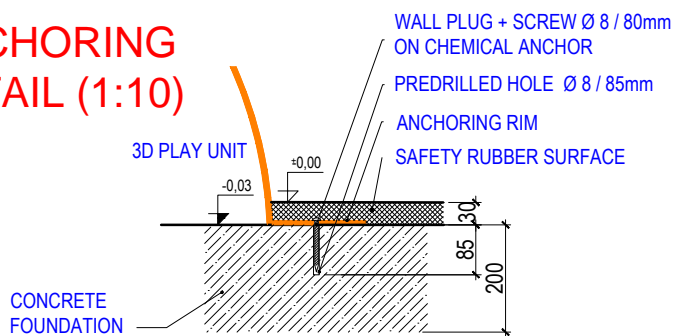
GROUND PLAN (1:25)




SECTION (1:25)



ANCHORING DETAIL (1:10)



Author:		3D PROGRAM, s.r.o.	 3D PROGRAM
MgA. Maxmilián Blišťák		Objíždná 1911 765 02 Otrokovice	
		Tel: 602 500 045 Email: info@3dprogram.eu	
TECHNICAL DRAWING		Certified according to	EN71 , EN1176
		Date of issue	22.2.2021
C12, C12tp, C12ts - LITTLE DRAGON		M 1:25, 1:10	format 1xA4
Foundation and anchoring - ground plan and section		C12_EN.dwg	revision 0