

HORSE

with tube

PRODUCT COMPOSITION

fiberglass shell, SBR, EPDM/TPV, aliphatic PU binder, powder-coated galvanized metal parts, SPPV rope, PVC tube (opt. inox)

COLOR COMBINATION

standard: brown / black / white / ocher / red / green / beige
(other combination on request)



Product is offered either with PVC or inox tube Ø460 mm.

RECOMMENDED SAFETY SURFACE

rubber surfacing (min. 1500 mm around the product) or an equivalent shock-absorbing surface compliant with EN1177

PRODUCT SAFETY

certified according to EN1176
complies with ASTM F1487 and CAN/CSA Z614

INSTALLATION

the product is installed onto a concrete foundation

PACKAGING

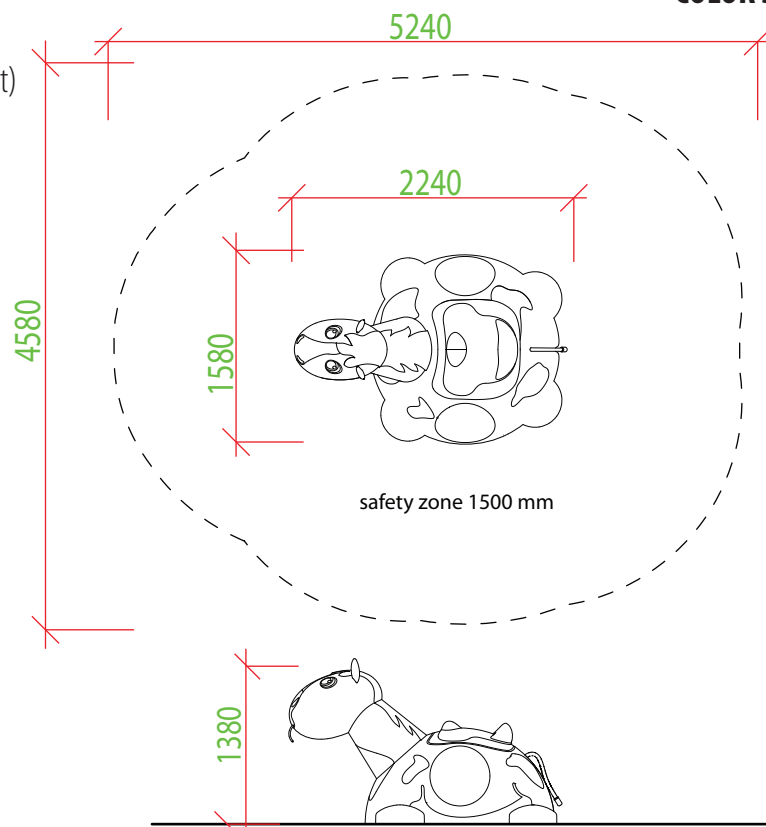
wrapped in plastic and delivered on a pallet 2200 x 2100 mm

STORAGE

in original packaging on a pallet
in temperatures between - 40° C and 50° C

COLOR STABILITY

UV stable



Our products are handmade, please allow dimensional tolerance up to 40 mm

275 kg weight	1380 mm critical fall height	1 h assembly time	2 - 10 yrs users' age	5 max. number of users	2240 x 1580 x 1380 mm dimensions
-------------------------	--	-----------------------------	---------------------------------	----------------------------------	--

3D PROGRAM, s.r.o.

Objízdna 1911
Otrokovice 765 02
Czech Republic



MADE IN EU

www.3dprogram.eu
info@3dprogram.eu
+420 602 500 045 +420 577 700 718

