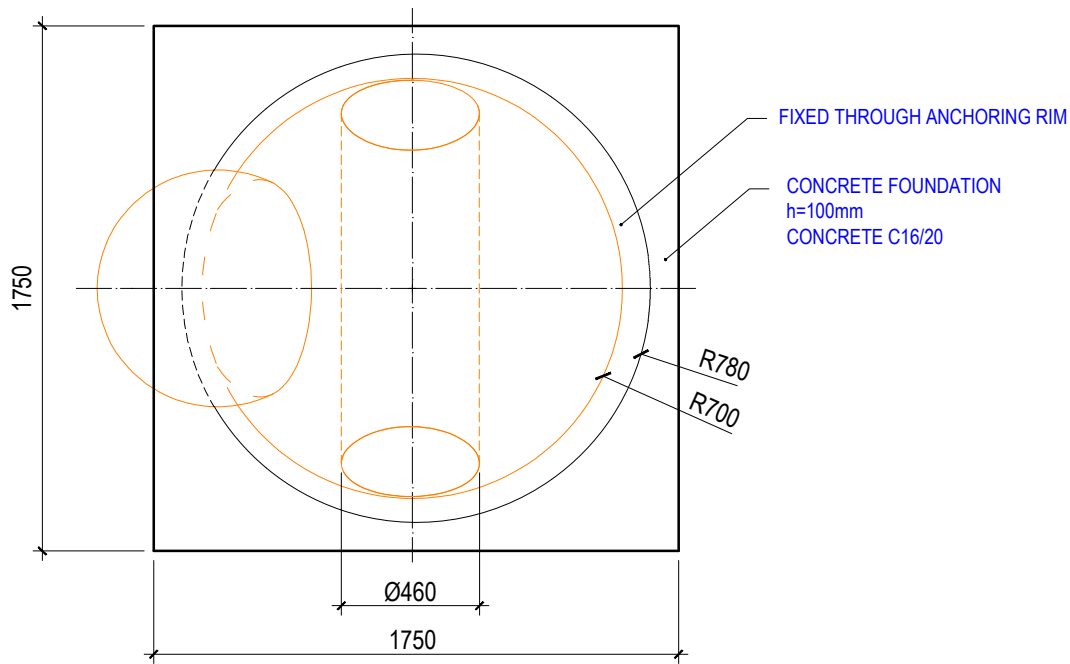
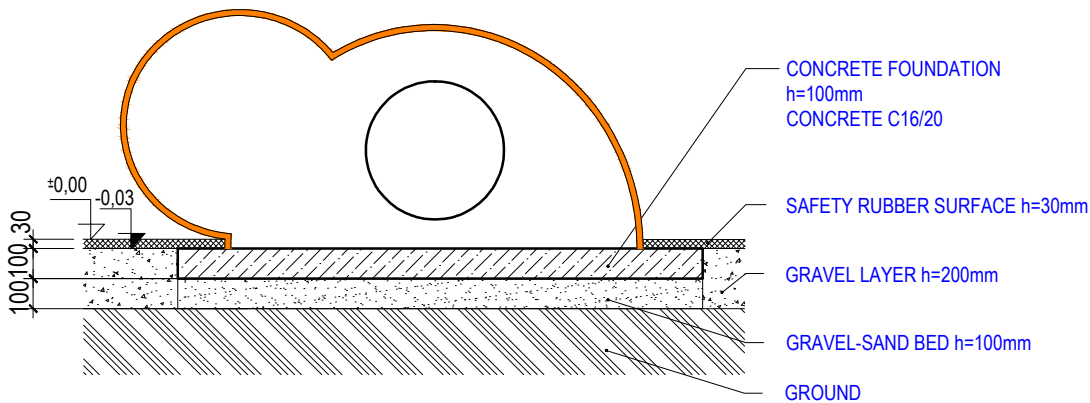


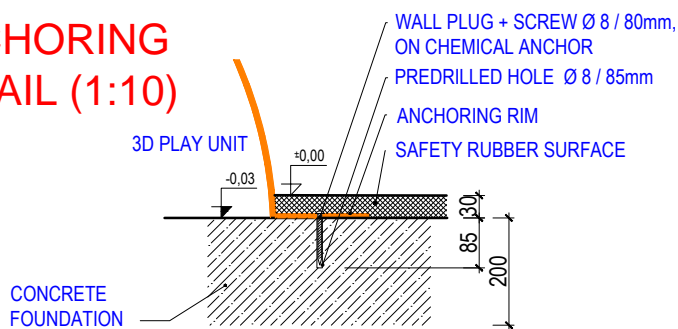
GROUND PLAN (1:25)



SECTION (1:25)



ANCHORING DETAIL (1:10)



Author:		3D PROGRAM, s.r.o.	
MgA. Maxmilián Blišťák		Objíždná 1911 765 02 Otrokovice	© dokumentace/technická výkresy/dwg/3dprogram Logo.jpg
TECHNICAL DRAWING		Tel: 602 500 045 Email: info@3dprogram.eu	
		Certified according to	EN71 , EN1176
C01 - LADYBIRD C05 - DUCK C13 - SNAIL		Date of issue	22.2.2021
		M 1:25, 1:10	format 1xA4
Foundation and anchoring - ground plan and section		C_EN.dwg	revision 0