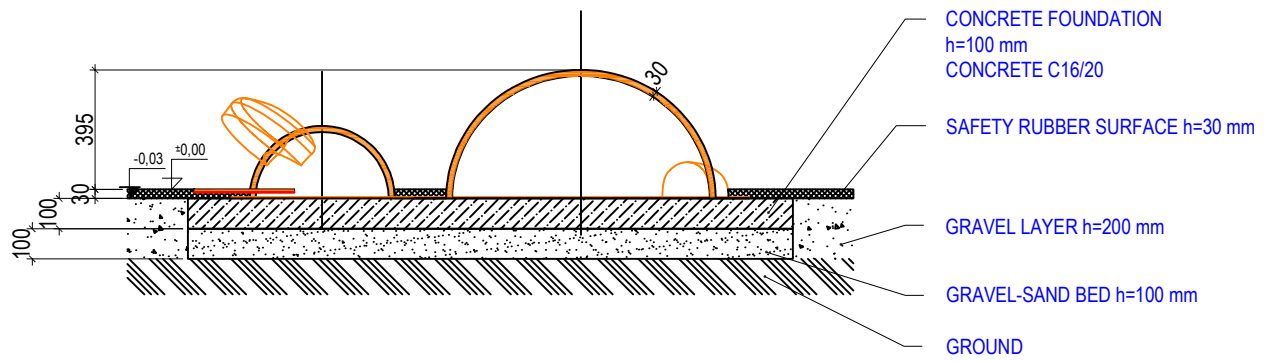
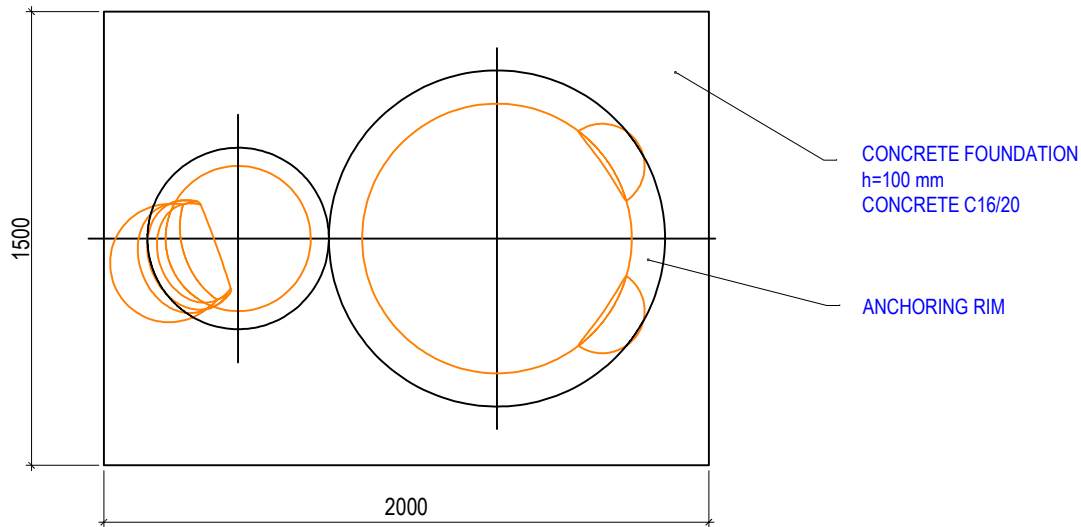


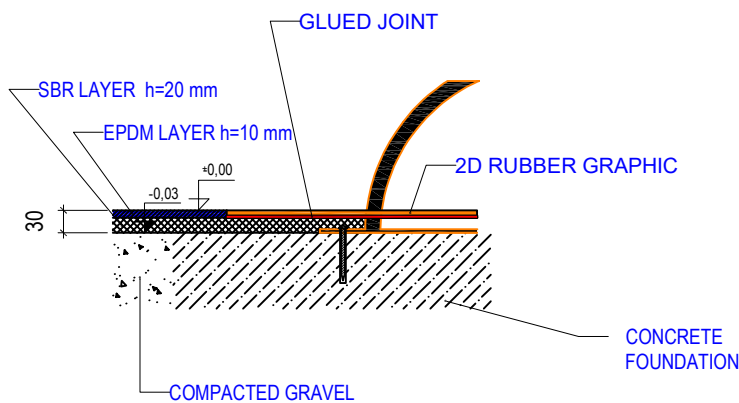
SECTION (1:25)



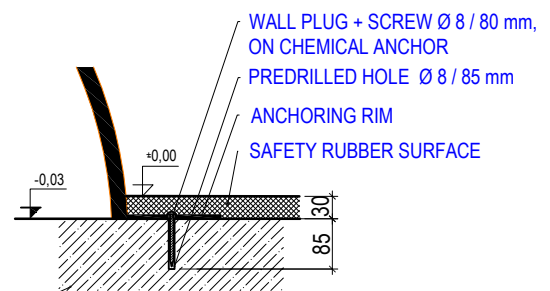
FOUNDATION GROUND PLAN (1:25)




GLUED JOINT DETAIL (1:10)



ANCHORING DETAIL (1:10)



Author:		3D PROGRAM, s.r.o.	
Daniel Nad'		Objizdná 1911 765 02 Otrokovice, Czech Republic	
		Tel: +420 602 500 045 Email: info@3dprogram.eu	
TECHNICAL DRAWING		Certified according to	EN71 , EN1176
		Date of issue	14.12.2025
L03 - LITE HIPPO		M 1:25, 1:10	format 1xA4
Foundation and anchoring – ground plan, section and details		L03_EN.dwg	revision 0