

LITE TURTLE



PRODUCT COMPOSITION

fiberglass shell, SBR, EPDM/TPV,
aliphatic PU binder

COLOR COMBINATION

standard: brown / beige / white / black /
green / pink
(other combination on request)

COLOR STABILITY

UV stable

RECOMMENDED SAFETY SURFACE

rubber surfacing
(no safety area according to EN1177)

PRODUCT SAFETY

certified according to EN1176
complies with ASTM F1487 and CAN/CSA Z614

INSTALLATION

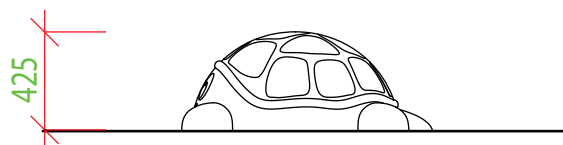
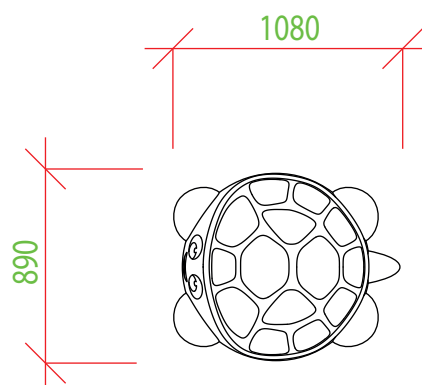
the product is installed onto a concrete foundation

PACKAGING



wrapped in plastic and delivered
on a pallet 1150 x 1150 mm

STORAGE

in original packaging on a pallet
in temperatures between - 40° C and 50° C



Our products are handmade, please allow dimensional tolerance up to 40 mm

 45 kg weight	 425 mm critical fall height	 1 hr assembly time	 0 - 8 yrs users' age	 2 max. number of users	 1080 x 890 x 425 mm dimensions
---	---	--	--	--	--

3D PROGRAM, s.r.o.

Objízdná 1911
Otrokovice 765 02
Czech Republic



MADE IN EU

www.3dprogram.eu
info@3dprogram.eu
+420 602 500 045 +420 577 700 718

