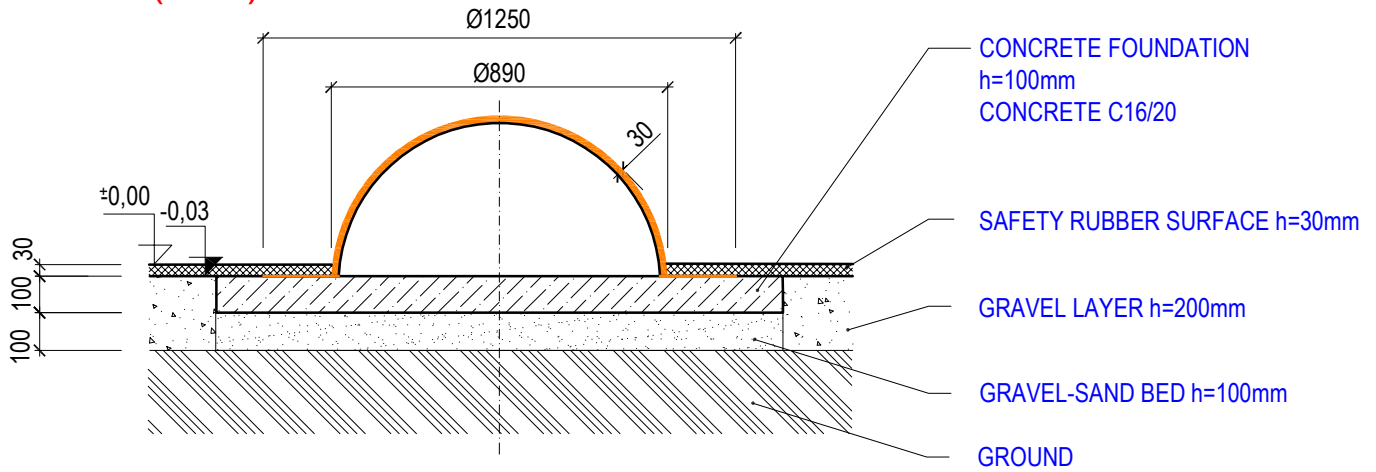
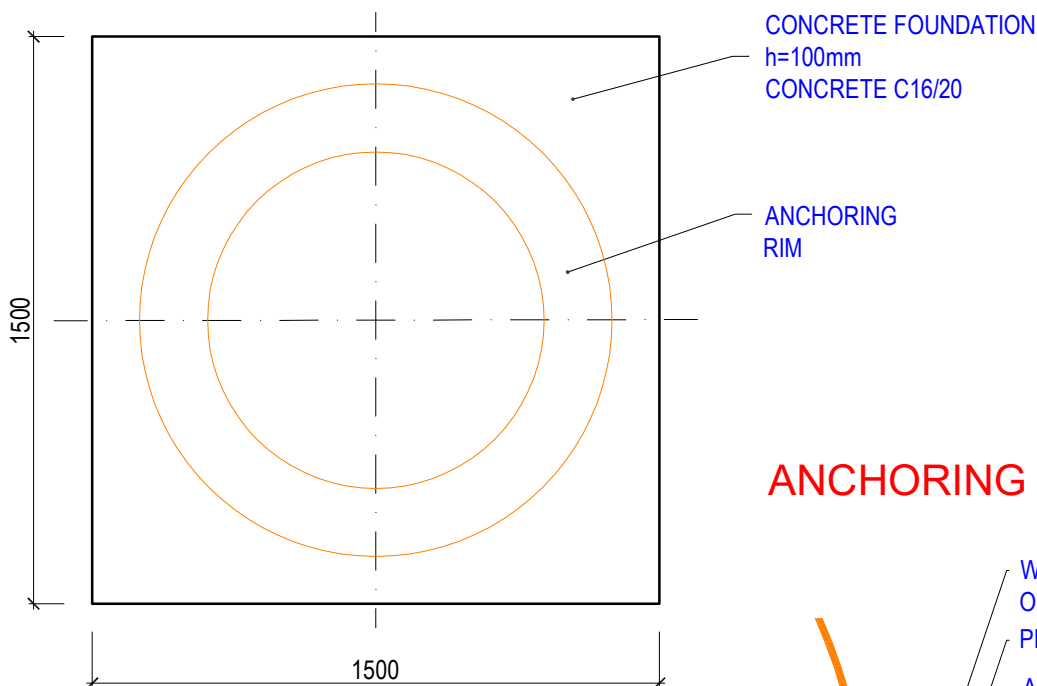


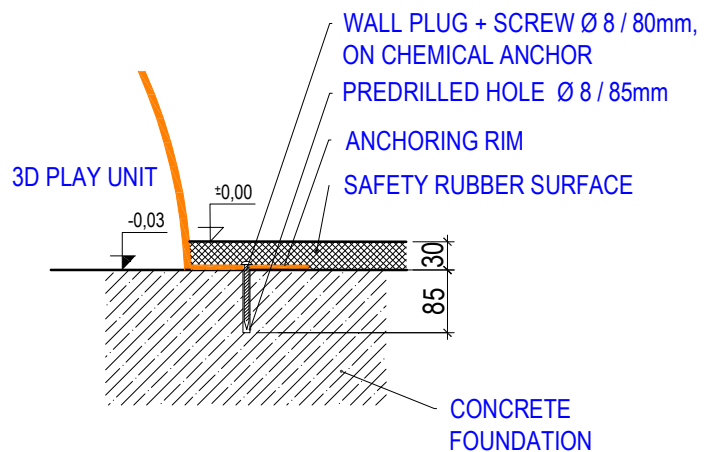
SECTION (1:20)




FOUNDATION GROUND PLAN (1:20)



ANCHORING DETAIL (1:10)



PRODUCT HEIGHT VARIES BY MODEL

Author:		3D PROGRAM, s.r.o.	
Daniel Nad'		Objizdná 1911 765 02 Otrokovice, Czech Republic Tel: +420 602 500 045 Email: info@3dprogram.eu	
TECHNICAL DRAWING		Certified according to	EN71 , EN1176
		Date of issue	14.11.2025
APPLICABLE TO: L04, L05, L06, L07, L08		M 1:20, 1:10	format 1xA4
Foundation and anchoring - ground plan and section		L_EN.dwg	revision 0