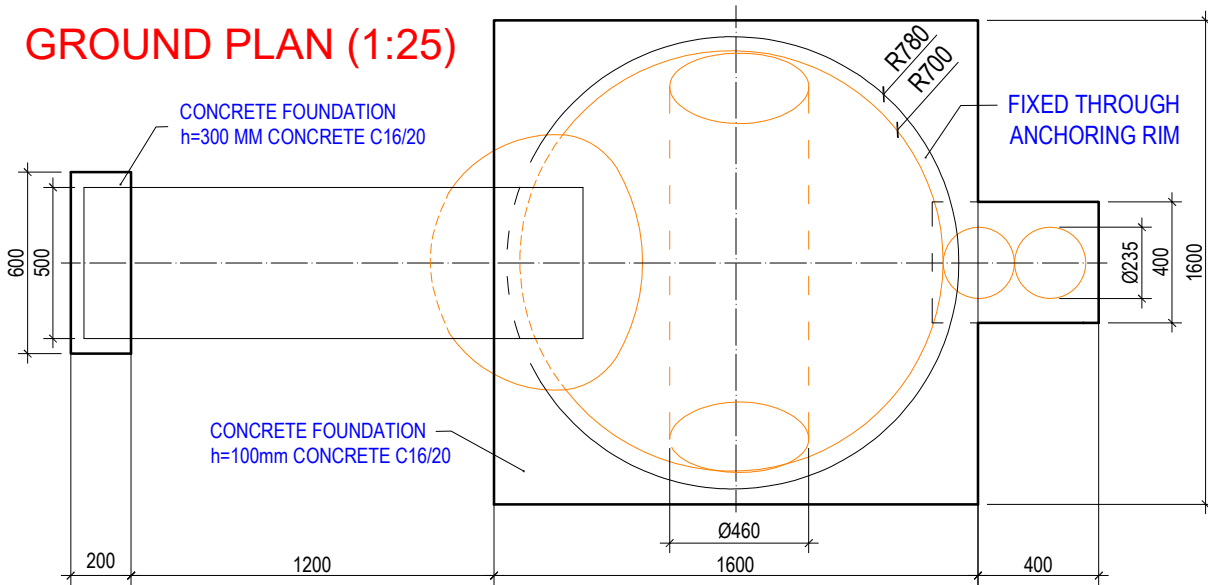
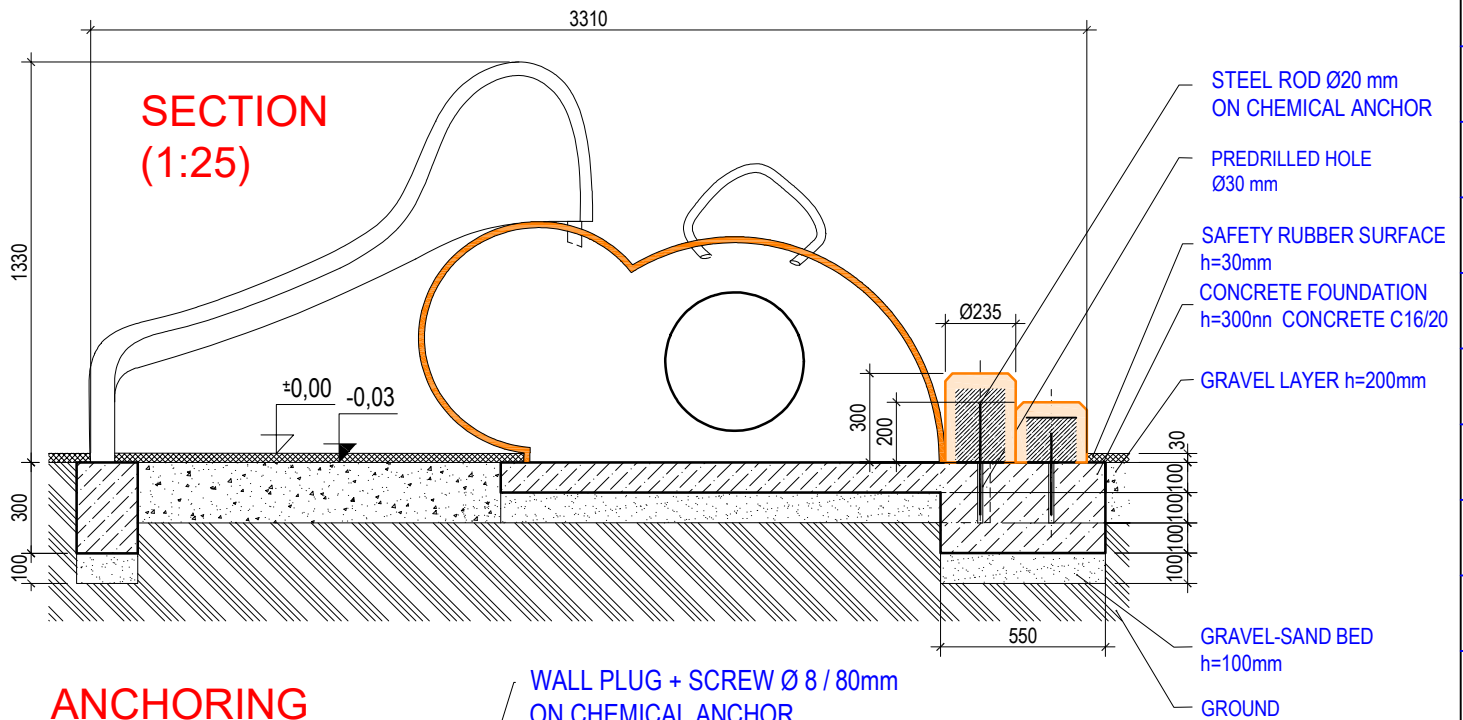


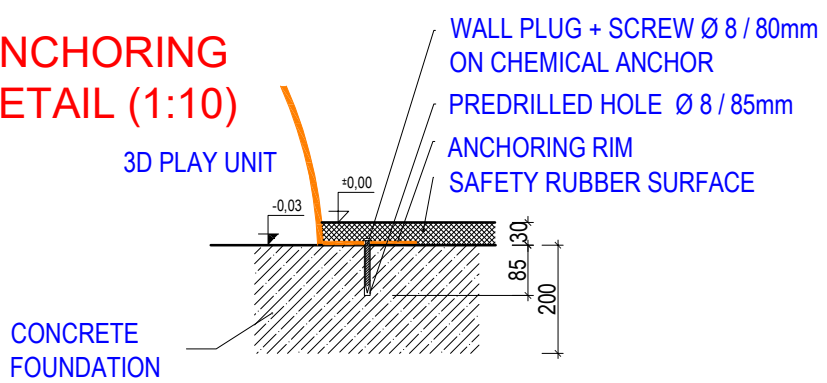
GROUND PLAN (1:25)




SECTION (1:25)



ANCHORING DETAIL (1:10)



| | | | |
|--|--|--|---|
| Author: | | 3D PROGRAM, s.r.o. |  |
| MgA. Maxmilián Blíšák | | Objizdná 1911 765 02 Otrokovice | |
| | | Tel: 602 500 045 Email: info@3dprogram.eu | |
| TECHNICAL DRAWING | | Certified according to | EN71 , EN1176 |
| | | Date of issue | 22.2.2021 |
| C24otp, C24ots - ELEPHANT | | M 1:25, 1:10 | format 1xA4 |
| Foundation and anchoring - ground plan and section | | C24o_EN.dwg | revision 0 |