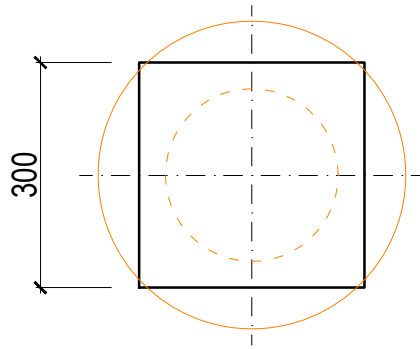
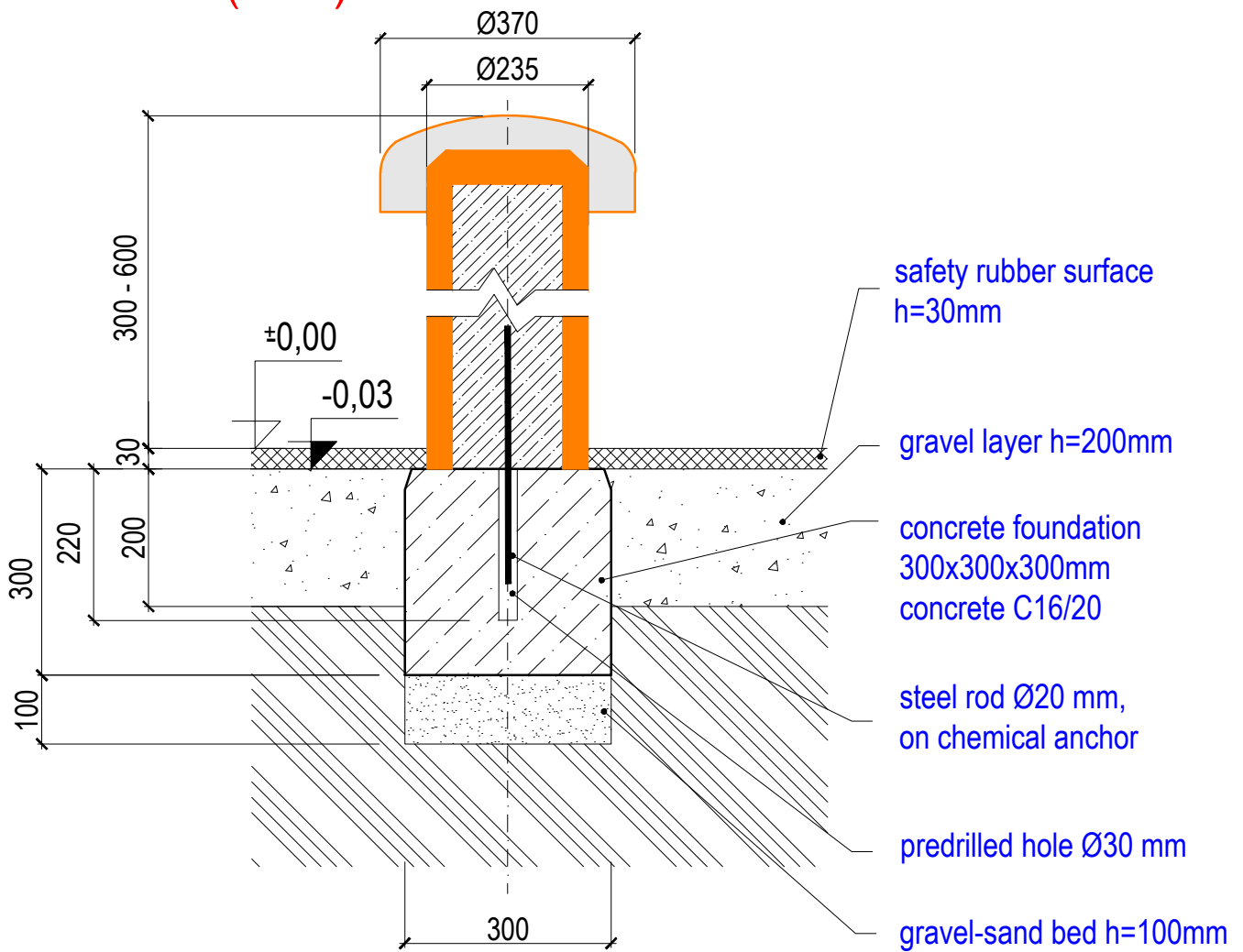


# GROUND PLAN (1:10)



# SECTION (1:10)



safety rubber surface  
h=30mm


gravel layer h=200mm

concrete foundation  
300x300x300mm  
concrete C16/20

steel rod Ø20 mm,  
on chemical anchor

predrilled hole Ø30 mm

gravel-sand bed h=100mm

Author:		3D PROGRAM, s.r.o.	
MgA. Maxmilián Bišták		Objízdna 1911 765 02 Otrokovice	
		Tel: 602 500 045 Email: info@3dprogram.eu	
<b>TECHNICAL DRAWING</b>		Certified according to	EN71 , EN1176
		Date of issue	22.2.2021
MUSHROOM B02-3, B02-4, B02-5, B02-6		M 1:10	format 1xA4
Foundation and anchoring - ground plan and section		B02_EN.dwg	revision 1