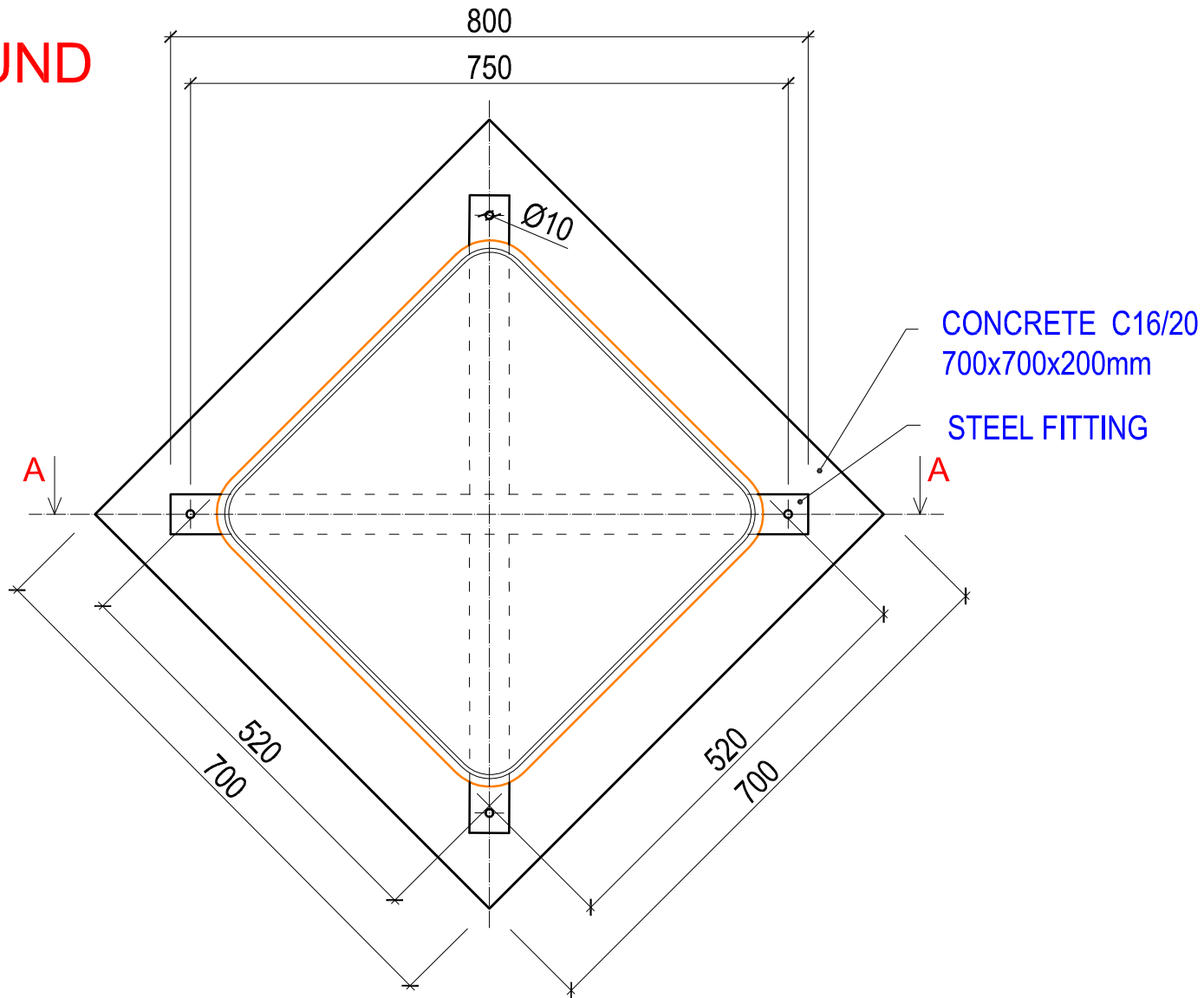
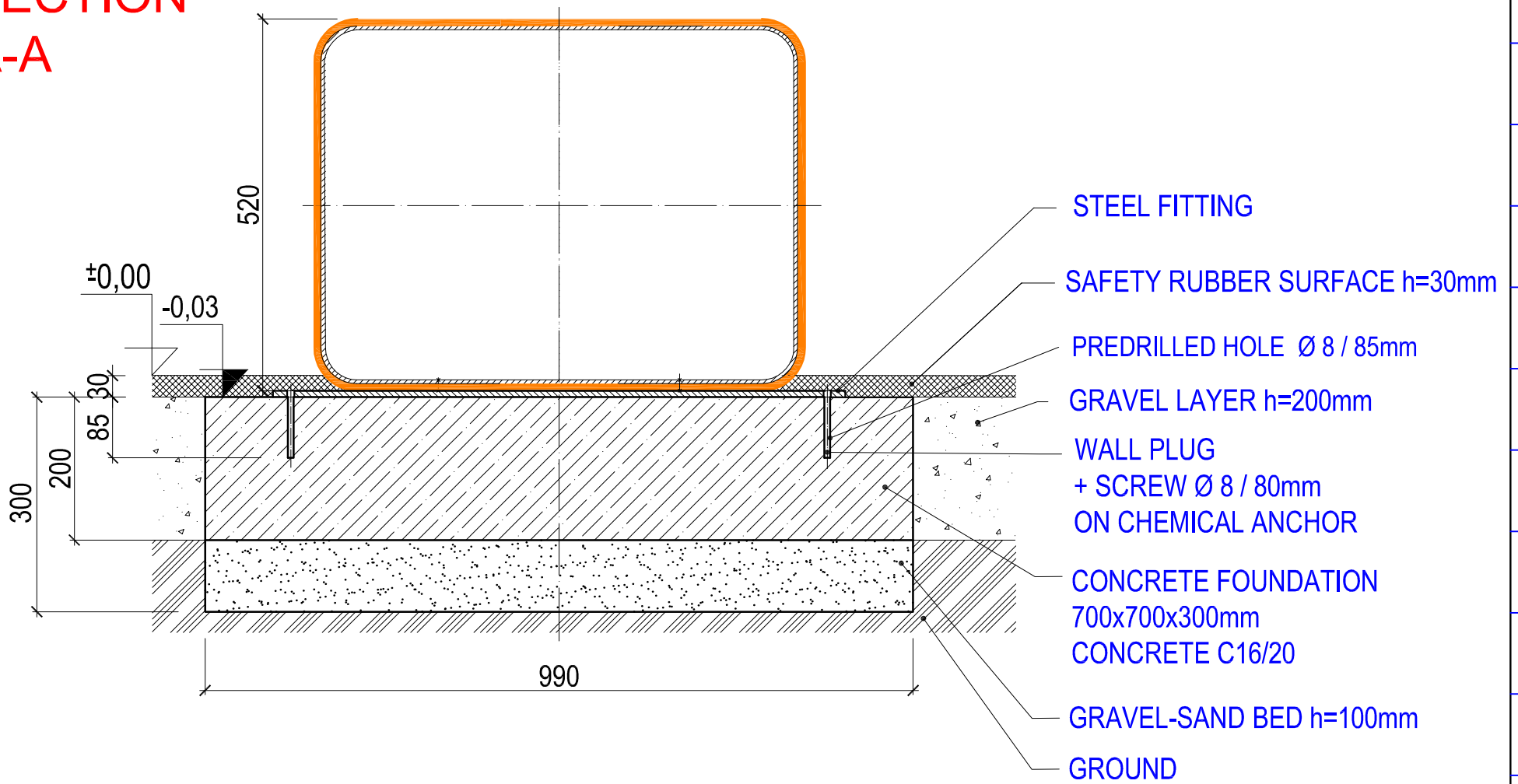



# GROUND PLAN



# SECTION A-A



Author:		3D PROGRAM, s.r.o.	
Ing. Arch. Miroslav Blátek		Objizdná 1911 765 02 Otrokovice Tel: 602 500 045 Email: info@3dprogram.eu	
<h1>TECHNICAL DRAWING</h1>		Certified according to EN71 , EN1176	
		Date of issue 20.8.2017	
B06 - DIDACTIC CUBE		M 1:10	format 1xA4
Foundation and anchoring - ground plan and section		B06_EN1176.dwg	revision 0