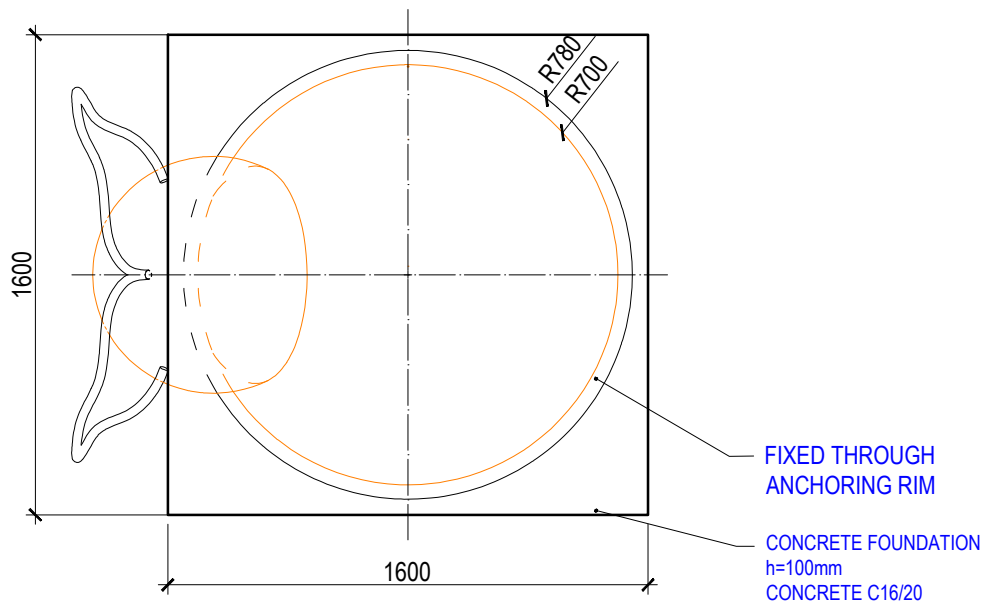
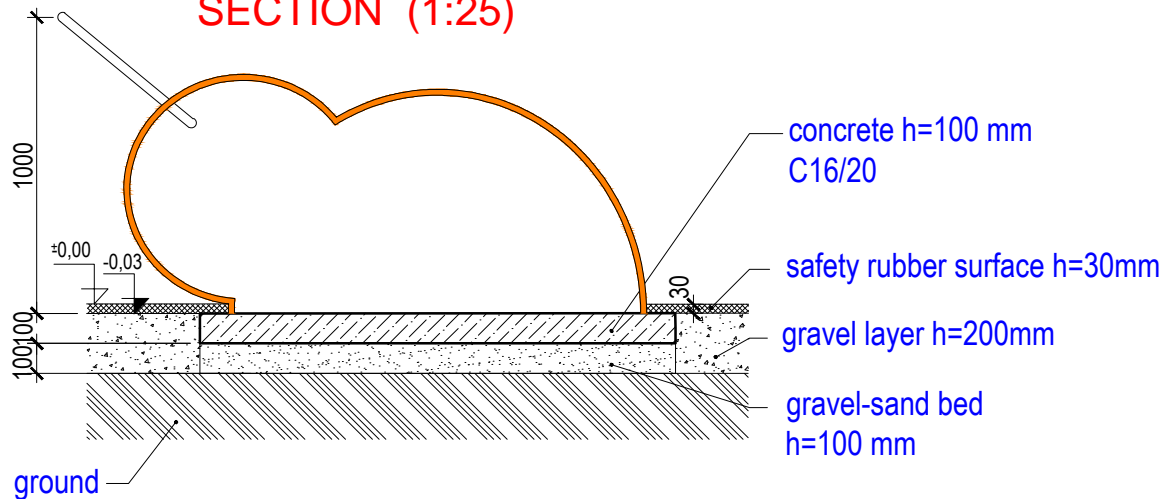


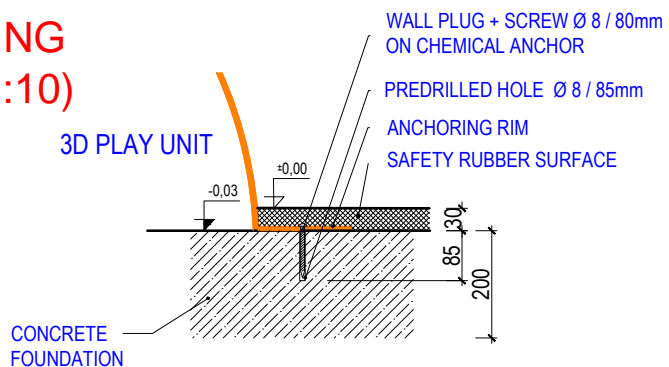
GROUND PLAN (1:25)




SECTION (1:25)



ANCHORING DETAIL (1:10)



Author:		3D PROGRAM, s.r.o.	 3D PROGRAM
MgA. Maxmilián Blíšák		Objízdná 1911 765 02 Otrokovice Tel: 602 500 045 Email: info@3dprogram.eu	
<h1>TECHNICAL DRAWING</h1>		Certified according to EN71 , EN1176	
		Date of issue 22.2.2021	
C25 - WHALE		M 1:25, 1:10	format 1xA4
Foundation and anchoring - ground plan and section		C25_EN.dwg	revision 0