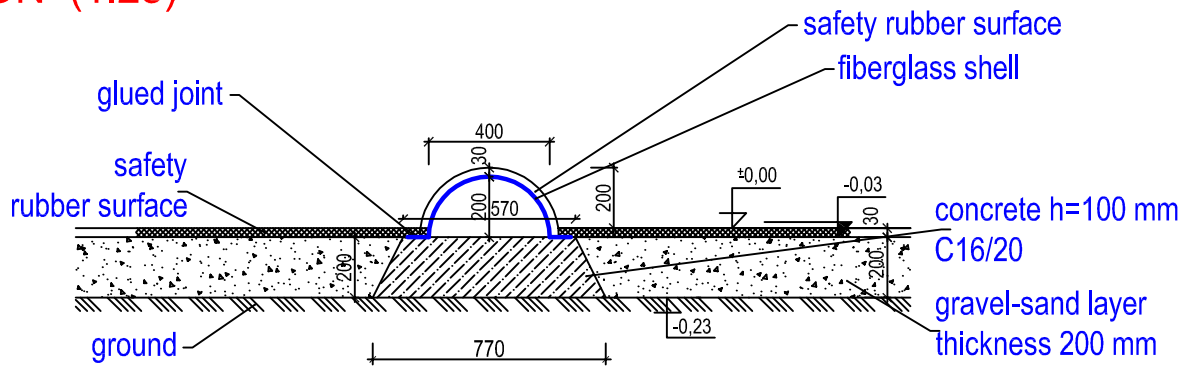
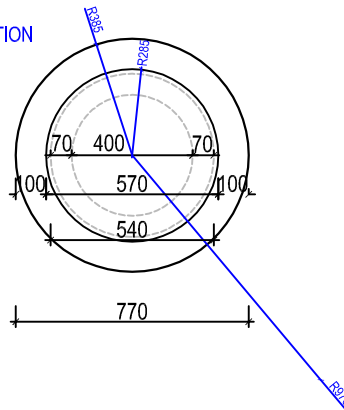


## SECTION (1:25)

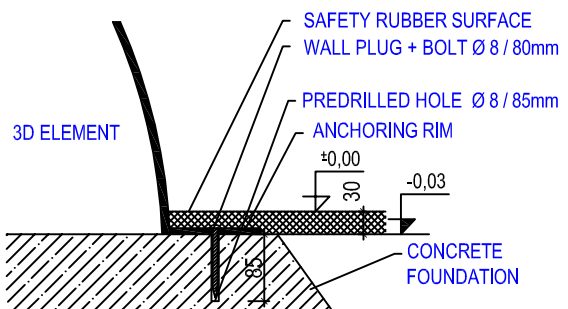
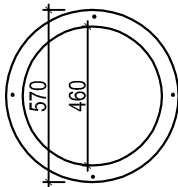


## FOUNDATION GROUND PLAN (1:25)


CONCRETE FOUNDATION  
THICKNESS 200 MM  
CONCRETE C16/20



## GROUND PLAN (1:25)



## ANCHORING DETAIL (1:10)

Author:		3D PROGRAM, s.r.o.	
Ing. arch. F. Němec		Objizdná 1911 765 02 Otrokovice	
		Tel: 602 500 045 Email: info@3dprogram.eu	
<b>TECHNICAL DRAWING</b>		Certified according to	EN71 , EN1176
		Date of issue	1.5. 2018
E12 - HILL 400		M 1:25, 1:10	format 1xA4
Foundation and anchoring - ground plan and section		E12_0_EN.dwg	revision 0