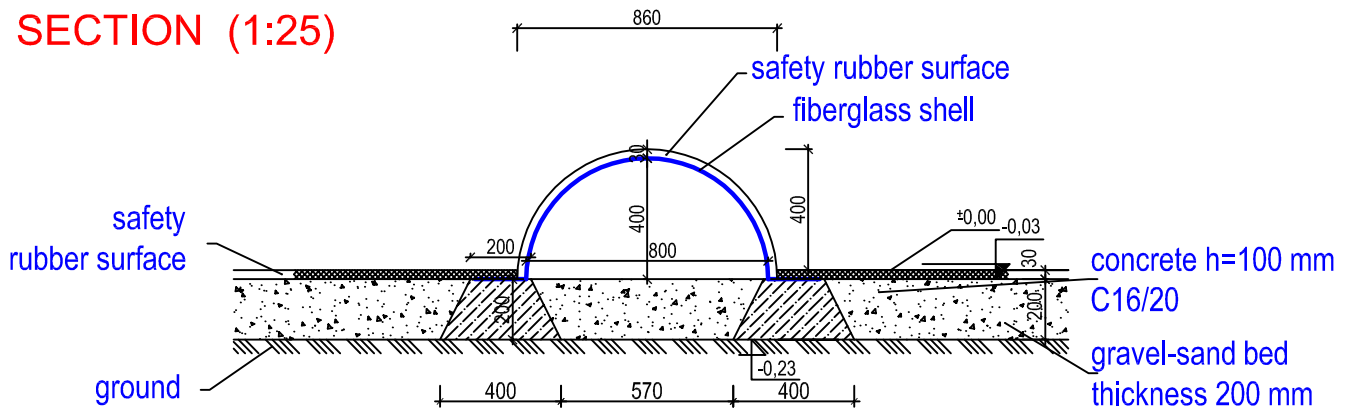
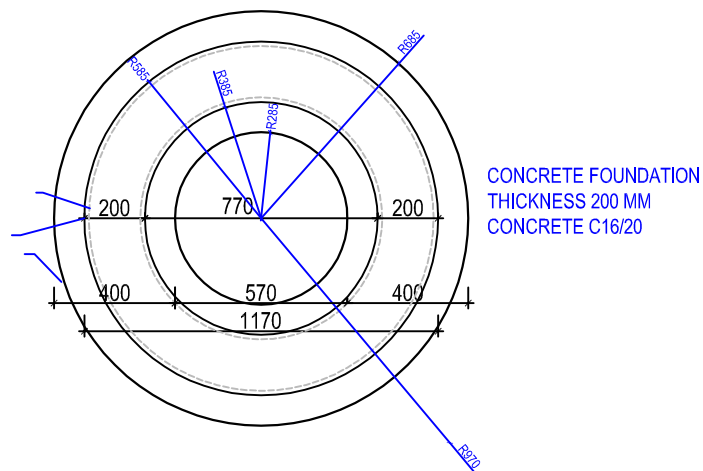


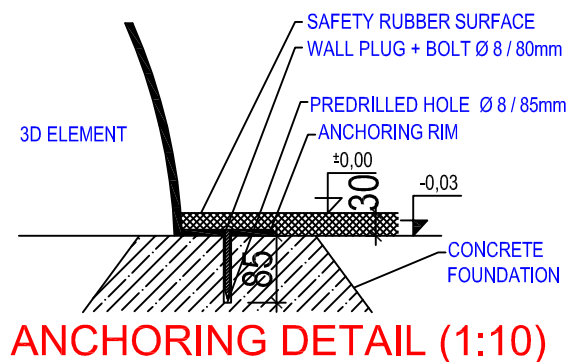
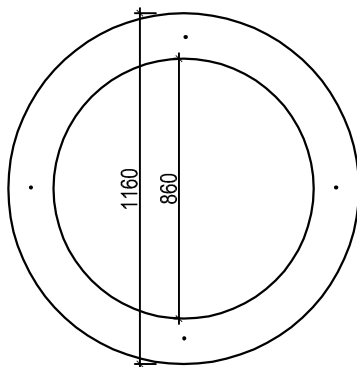
SECTION (1:25)




FOUNDATION GROUND PLAN (1:25)



GROUND PLAN (1:25)



ANCHORING DETAIL (1:10)

Author:		3D PROGRAM, s.r.o.	
Ing. arch. F. Němec		Objizdná 1911 765 02 Otrokovice	
		Tel: 602 500 045 Email: info@3dprogram.eu	
TECHNICAL DRAWING		Certified according to	EN71 , EN1176
		Date of issue	1.5. 2017
E11 - HILL 800		M 1:25, 1:10	format 1xA4
Foundation and anchoring - ground plan and section		E11_0_EN.dwg	revision 0