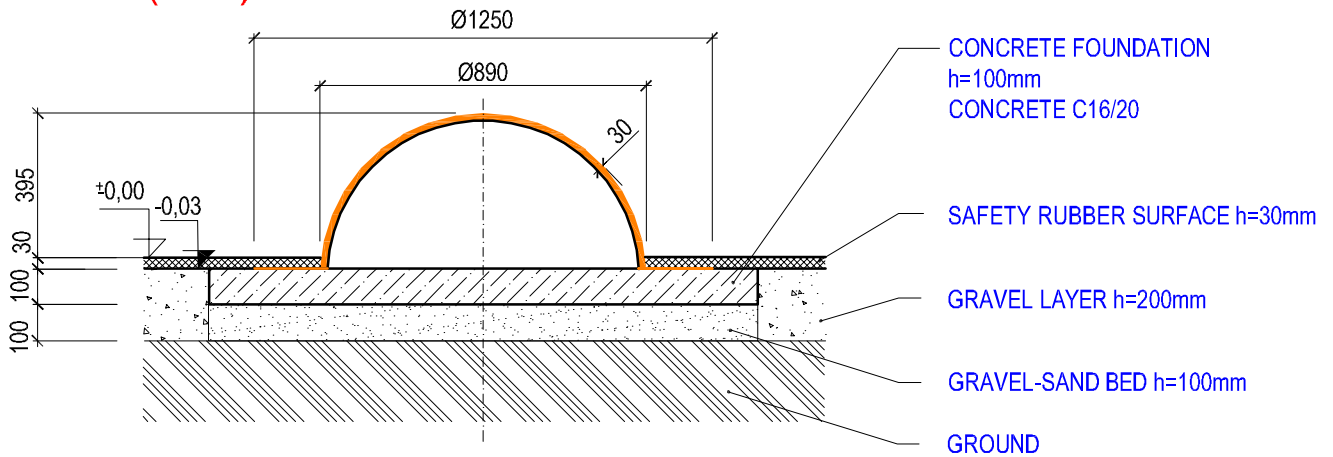
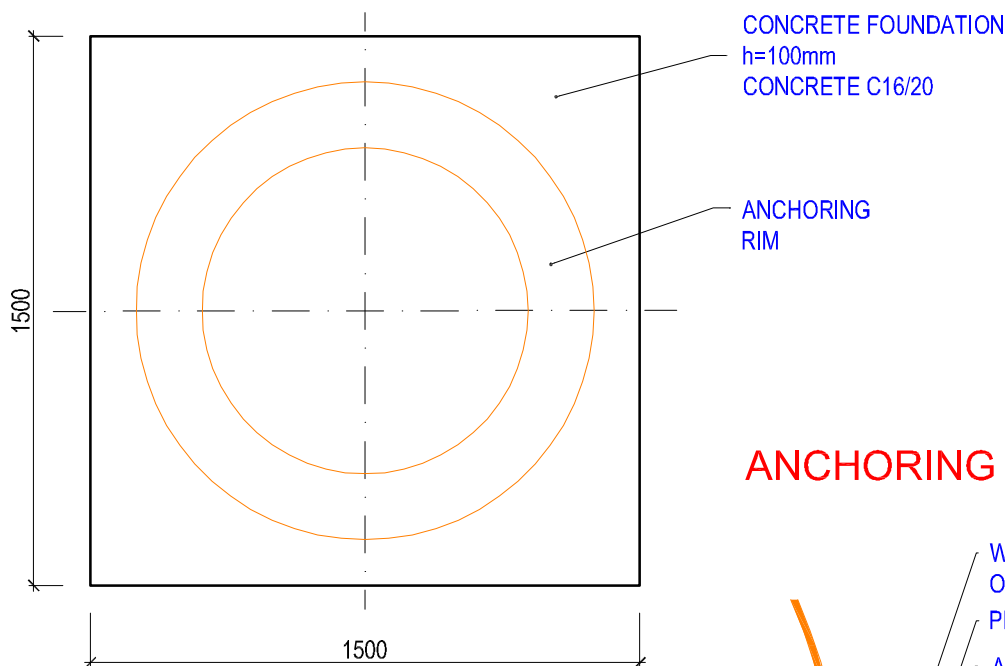


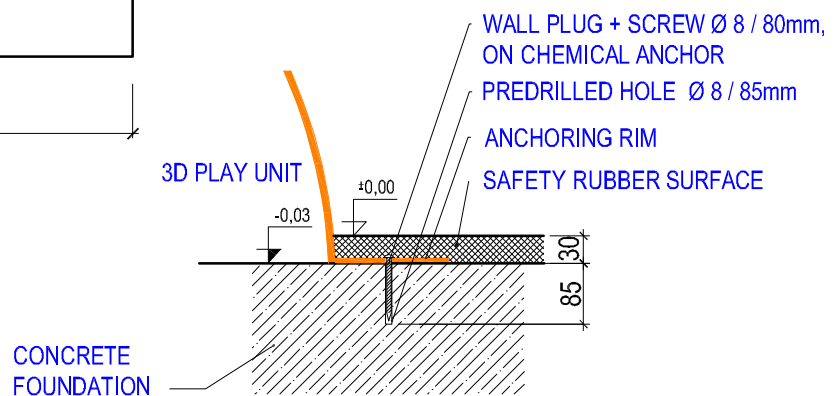
## SECTION (1:20)




## FOUNDATION GROUND PLAN (1:20)



## ANCHORING DETAIL (1:10)



|  |  |   |   |
|--|--|---|---|
| Author:  |  | 3D PROGRAM, s.r.o.  |  |
| MgA. Maxmilián Blšták                              |  | Objizdná 1911<br>765 02 Otrokovice, Czech Republic<br>Tel: +420 602 500 045<br>Email: info@3dprogram.eu |   |
| <h1>TECHNICAL DRAWING</h1>                         |  | Certified according to  | EN71 , EN1176   |
|  |  | Date of issue   | 22.2.2021   |
| E11 - HILL M                                       |  | M 1:20, 1:10  | format 1xA4   |
| Foundation and anchoring - ground plan and section |  | E11_EN.dwg  | revision 0  |