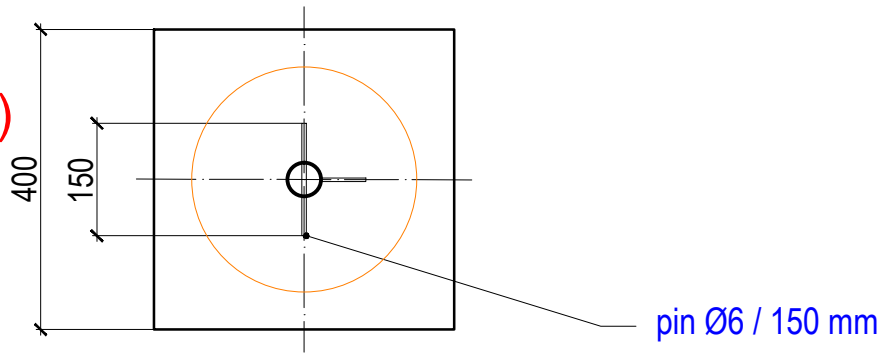
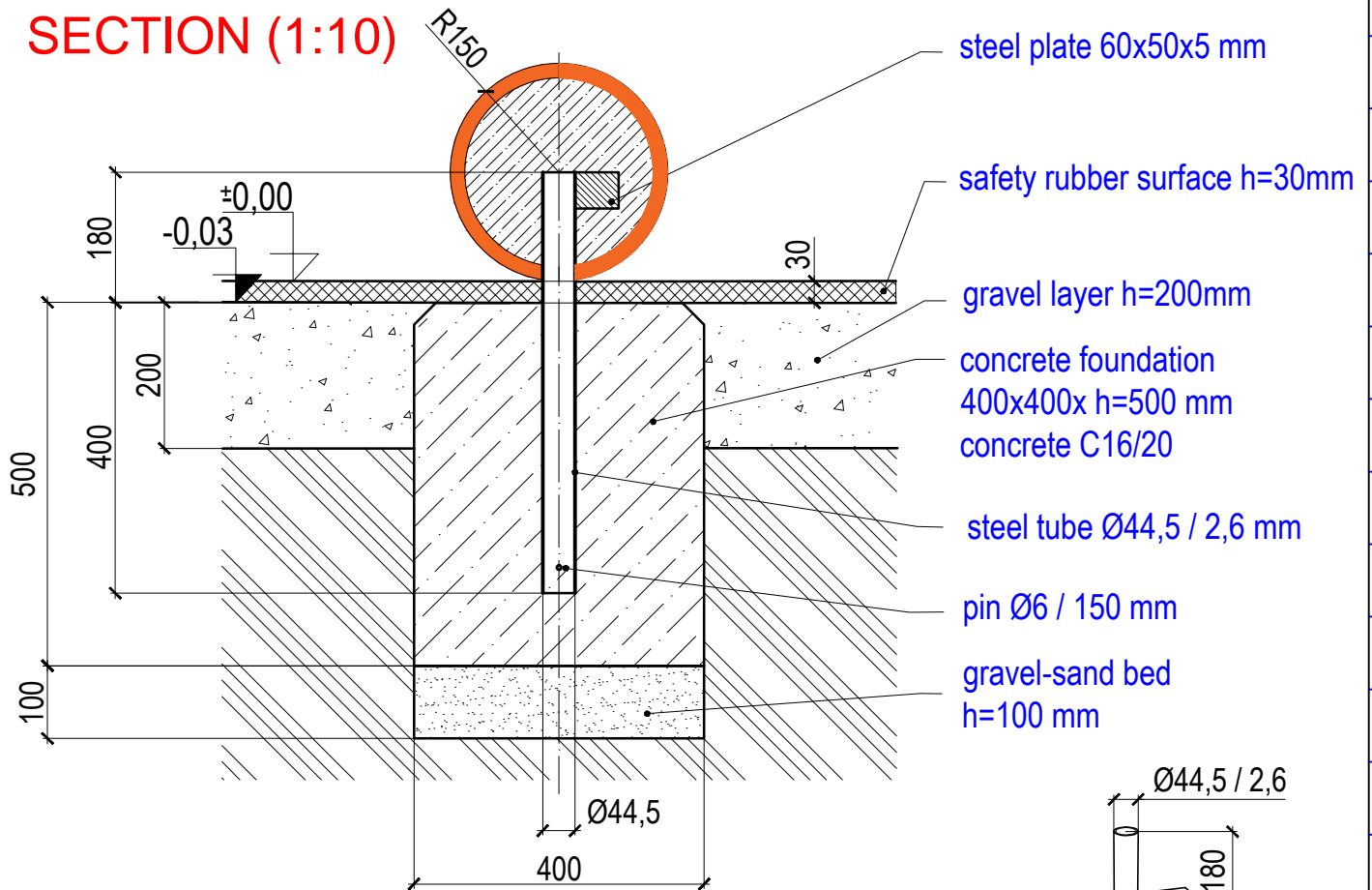


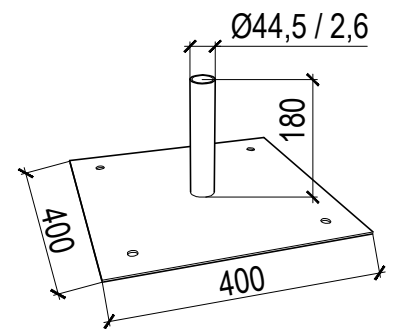
GROUND PLAN (1:10)




SECTION (1:10)

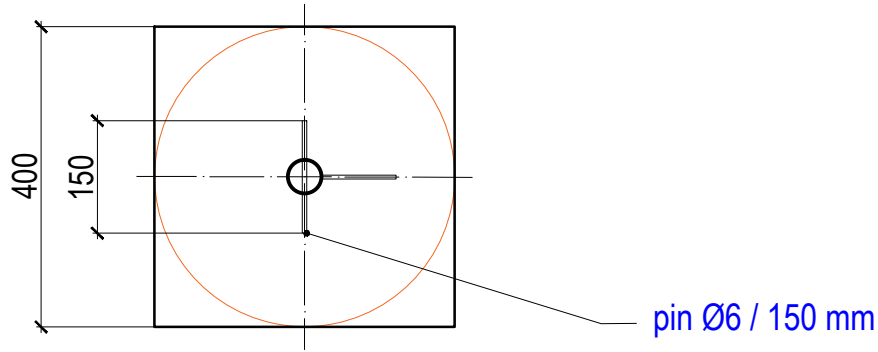


Optionally anchored with steel plate for surface installation

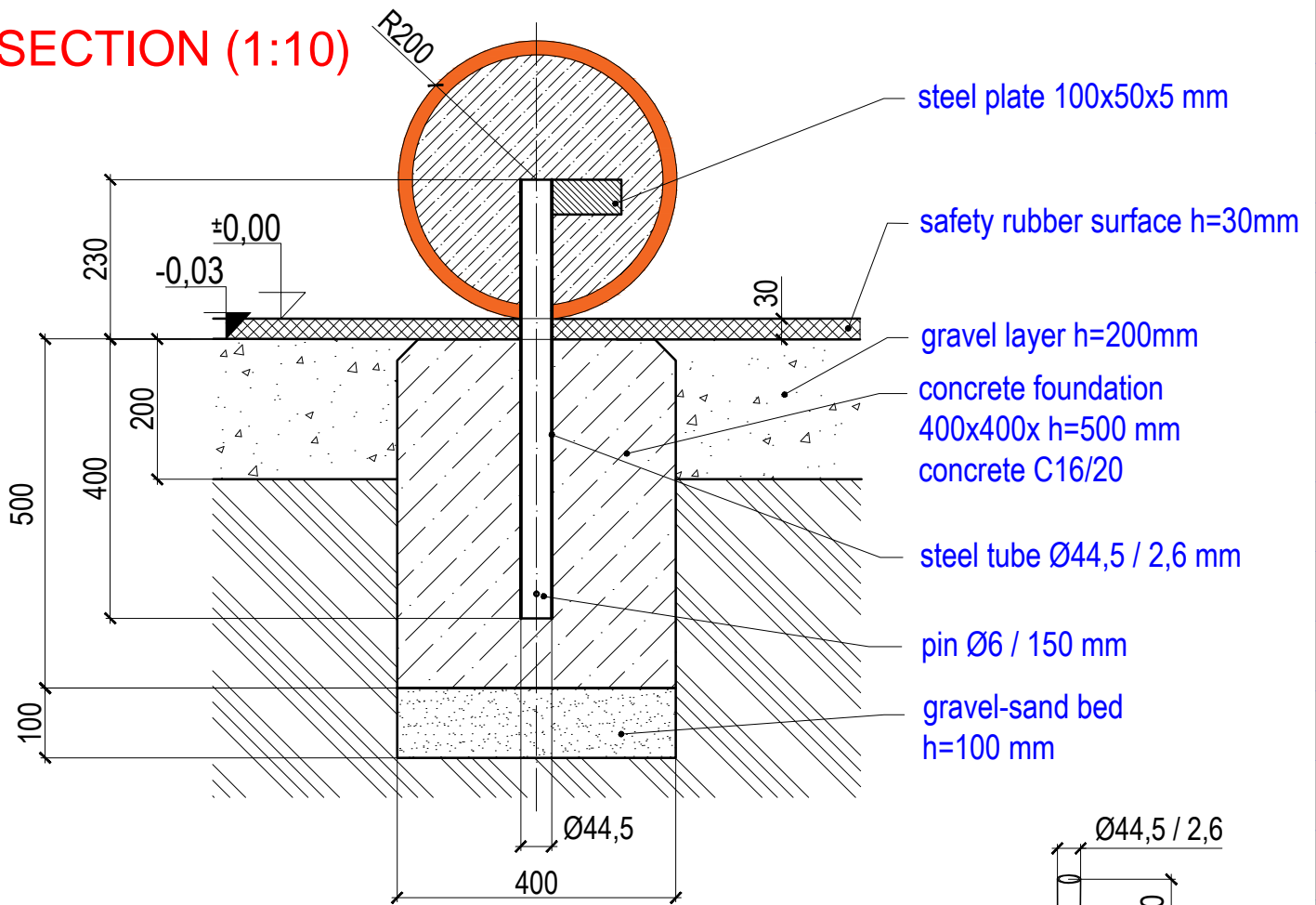


Author:		3D PROGRAM, s.r.o.	
MgA. Maxmilián Bišták		Objíždná 1911 765 02 Otrokovice, Czech Republic	
		Tel: 602 500 045 Email: info@3dprogram.eu	
TECHNICAL DRAWING		Certified according to	EN71 , EN1176
		Date of issue	22.2.2021
SPHERE - B08a-3		M 1:10	format 1xA4
Foundation and anchoring - ground plan and section		B08_EN.dwg	revision 0

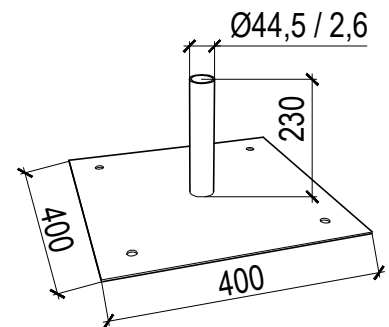
GROUND PLAN (1:10)




SECTION (1:10)

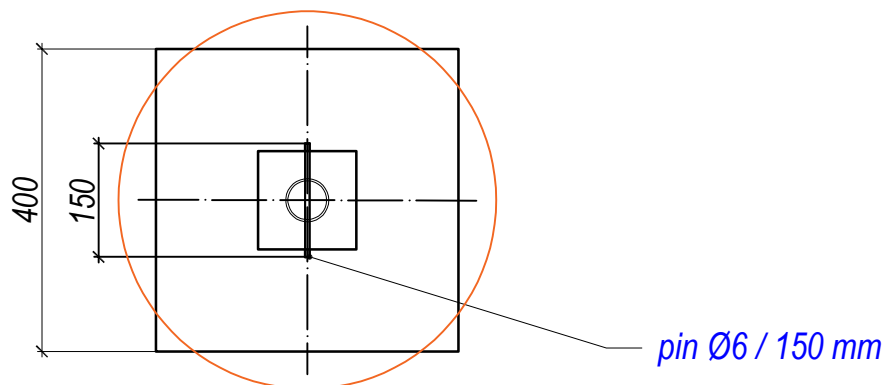


Optionally anchored with steel plate for surface installation

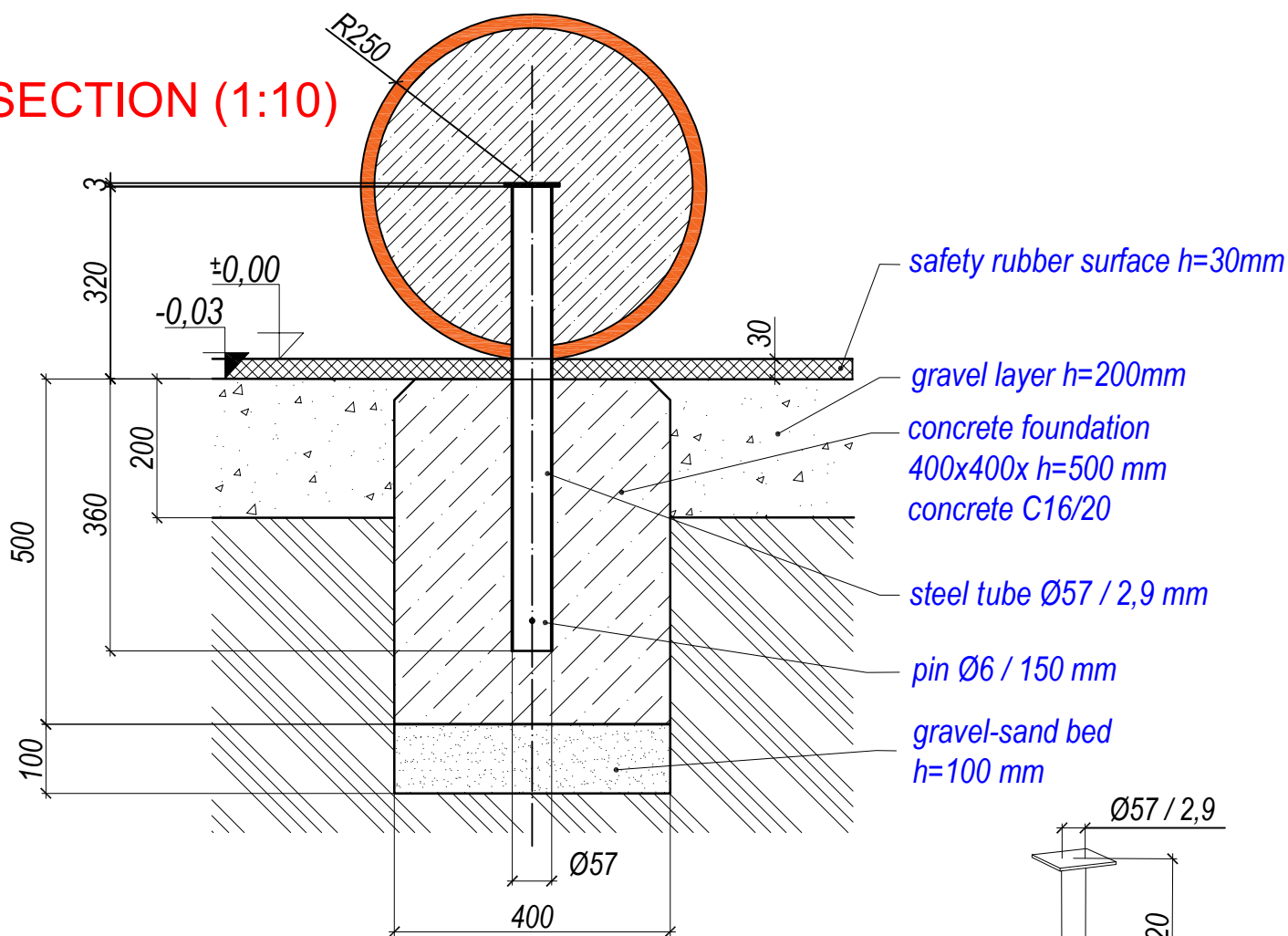


Author:		3D PROGRAM, s.r.o.	
MgA. Maxmilián Bišták		Objízdná 1911 765 02 Otrokovice, Czech Republic	
		Tel: 602 500 045 Email: info@3dprogram.eu	
TECHNICAL DRAWING		Certified according to	EN71 , EN1176
		Date of issue	22.2.2021
SPHERE - B08a-4		M 1:10	format 1xA4
Foundation and anchoring - ground plan and section		B08_EN.dwg	revision 0

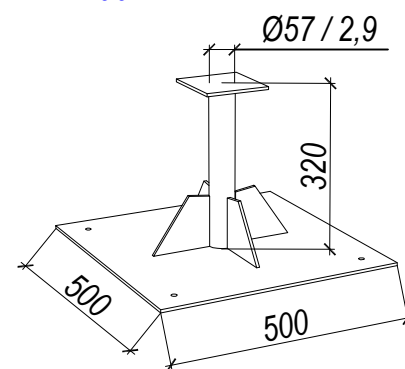
GROUND PLAN(1:10)




SECTION (1:10)

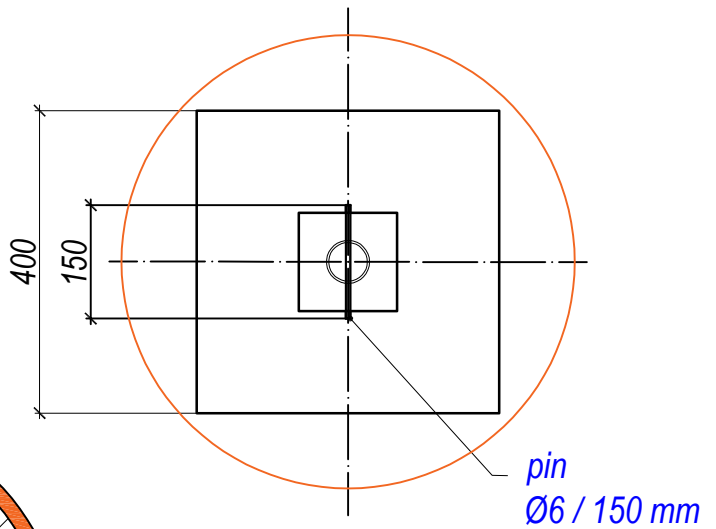


Optionally anchored with steel plate for surface installation

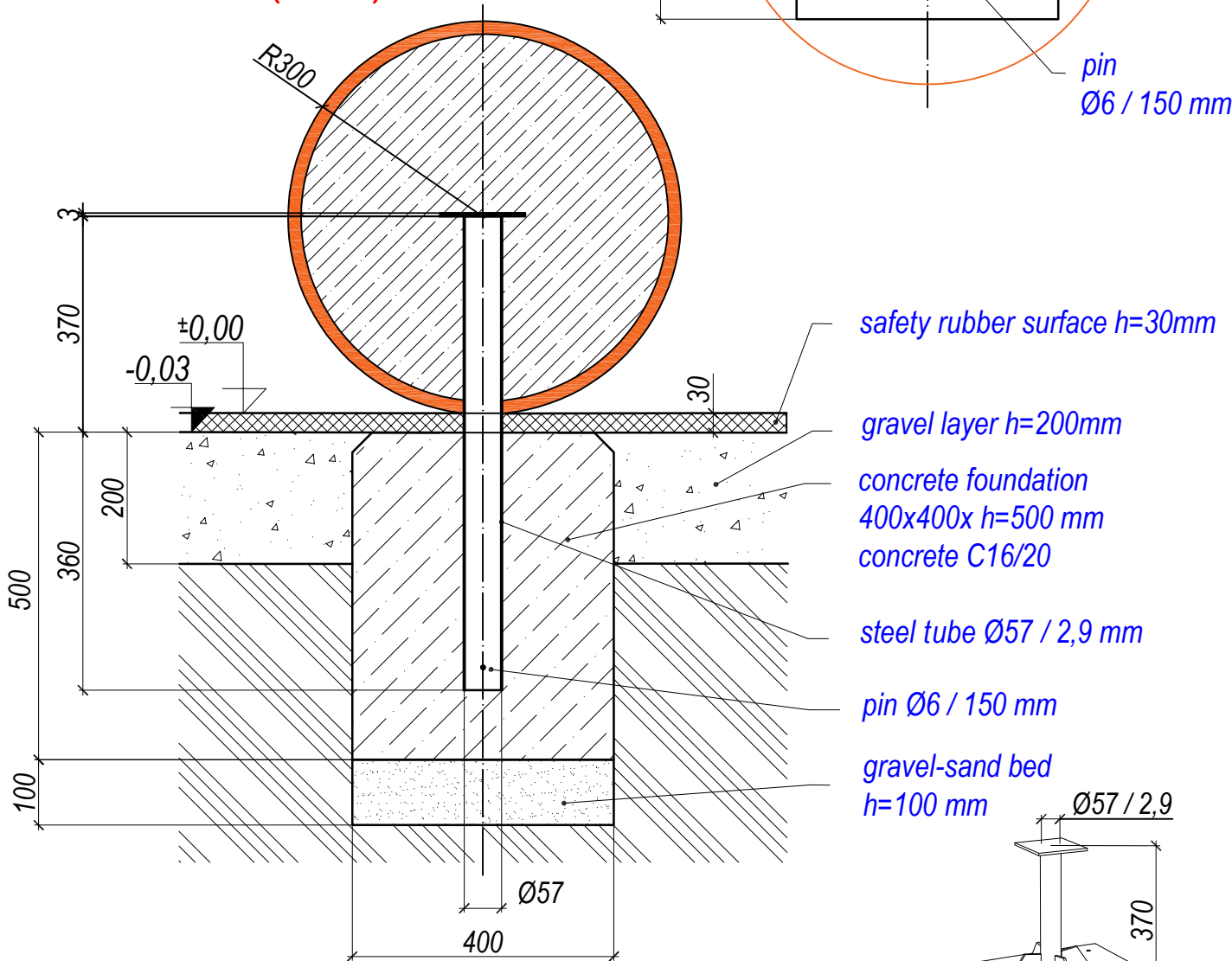


Author:		3D PROGRAM, s.r.o.	
MgA. Maxmilián Bišták		Objizdná 1911 765 02 Otrokovice, Czech Republic	
		Tel: 602 500 045 Email: info@3dprogram.eu	
TECHNICAL DRAWING		Certified according to	EN71 , EN1176
		Date of issue	22.2.2021
SPHERE - B08a-5		M 1:10	format 1xA4
Foundation and anchoring - ground plan and section		B08_EN.dwg	revision 0

GROUND PLAN (1:10)



SECTION (1:10)



safety rubber surface $h=30\text{mm}$

gravel layer $h=200\text{mm}$

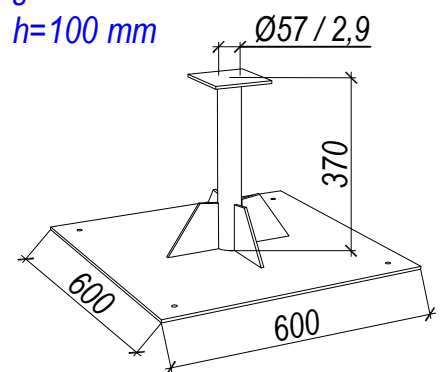
concrete foundation
400x400x $h=500\text{ mm}$
concrete C16/20


steel tube $\text{Ø}57 / 2,9\text{ mm}$

pin $\text{Ø}6 / 150\text{ mm}$

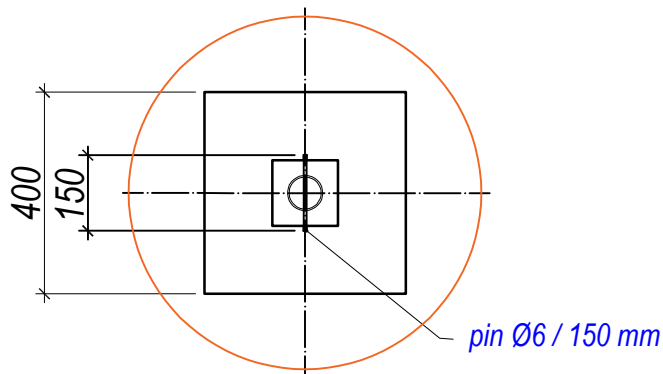
gravel-sand bed
 $h=100\text{ mm}$

Optionally anchored
with steel plate for
surface installation

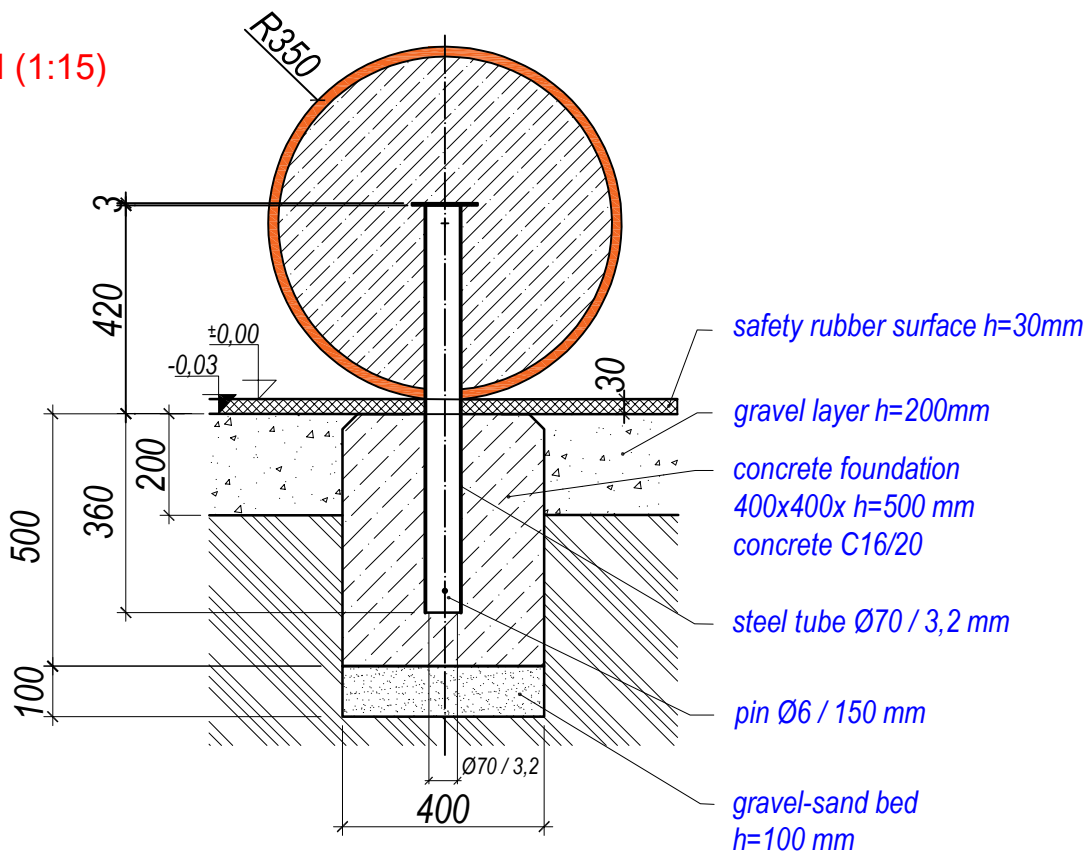


Author:		3D PROGRAM, s.r.o.	
MgA. Maxmilián Blíšák		Objizdná 1911 765 02 Otrokovice, Czech Republic	
		Tel: 602 500 045 Email: info@3dprogram.eu	
TECHNICAL DRAWING		Certified according to	EN71 , EN1176
		Date of issue	22.2.2021
SPHERE - B08a-6		M 1:10	format 1xA4
Foundation and anchoring - ground plan and section		B08_EN.dwg	revision 0

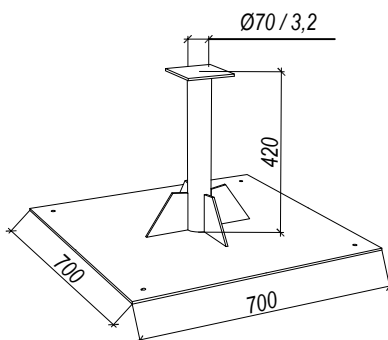
**GROUND
PLAN (1:15)**




SECTION (1:15)



Optionally anchored
with steel plate for
surface installation



Author:		3D PROGRAM, s.r.o. Objizdná 1911 765 02 Otrokovice, Czech Republic Tel: 602 500 045 Email: info@3dprogram.eu	
MgA. Maxmilián Blíšák			
TECHNICAL DRAWING	Certified according to	EN71 , EN1176	
	Date of issue	22.2.2021	
SPHERE - B08a-7	M 1:15	format 1xA4	
Foundation and anchoring - ground plan and section	B08_EN.dwg	revision 0	