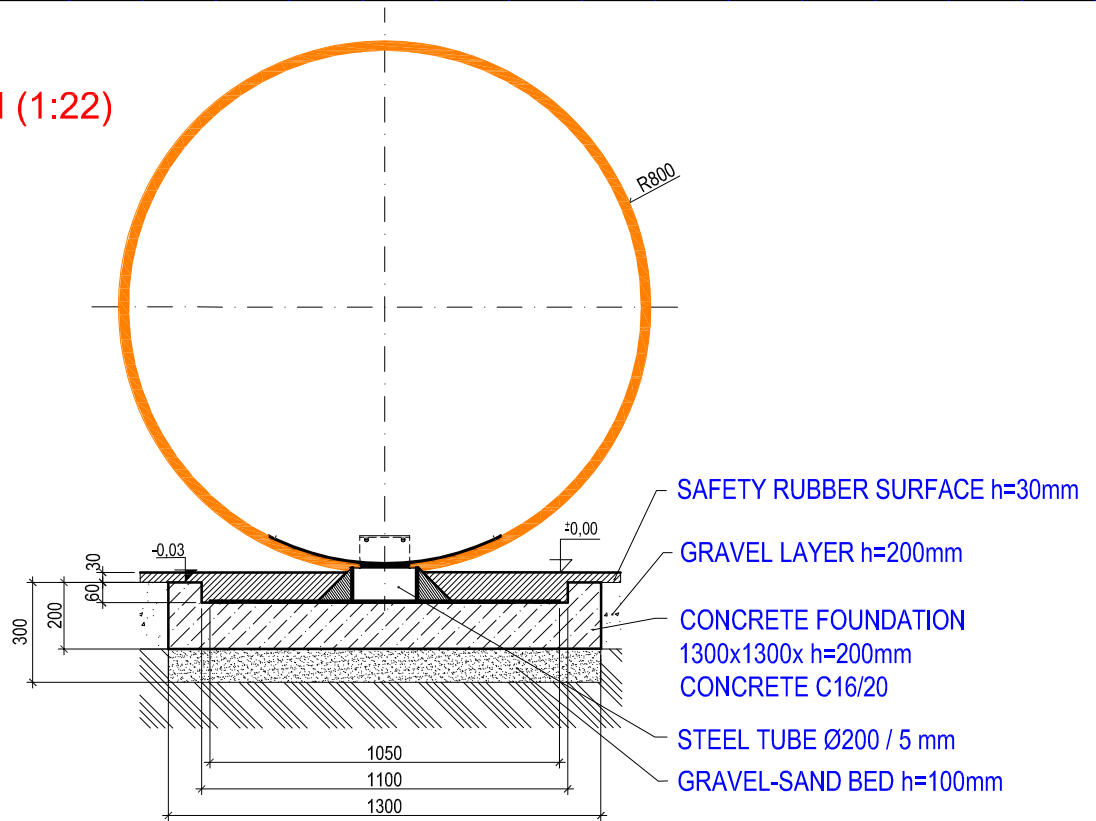
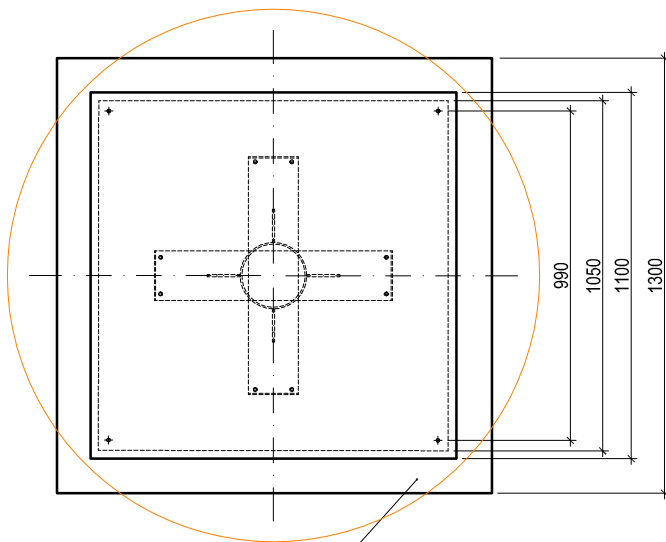


SECTION (1:22)



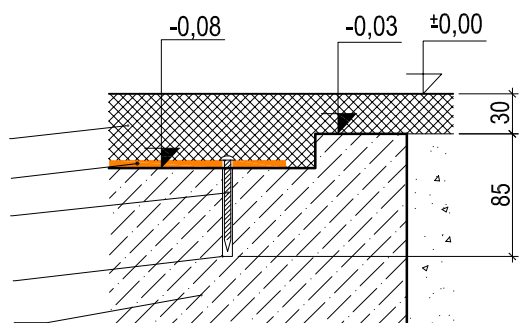
GROUND PLAN (1:22)




CONCRETE FOUNDATION
1300x1300x h=200mm
CONCRETE C16/20

SAFETY RUBBER SURFACE
STEEL PLATE
WALL PLUG + SCREW Ø 8 / 80mm,
ON CHEMICAL ANCHOR
PREDRILLED HOLE Ø 8 / 85mm
CONCRETE FOUNDATION

ANCHORING DETAIL (1:4)



Author:		3D PROGRAM, s.r.o.	
MgA. Maxmilián Blšták		Objizdná 1911 765 02 Otrokovice, Czech Republic	
		Tel: 602 500 045 Email: Info@3dprogram.eu	
TECHNICAL DRAWING		Certified according to	EN71 , EN1176
		Date of issue	27.4.2022
SPHERE - B08c-16		M 1:22	format 1xA4
Foundation and anchoring - section		B08c-16_EN.dwg	revision 0