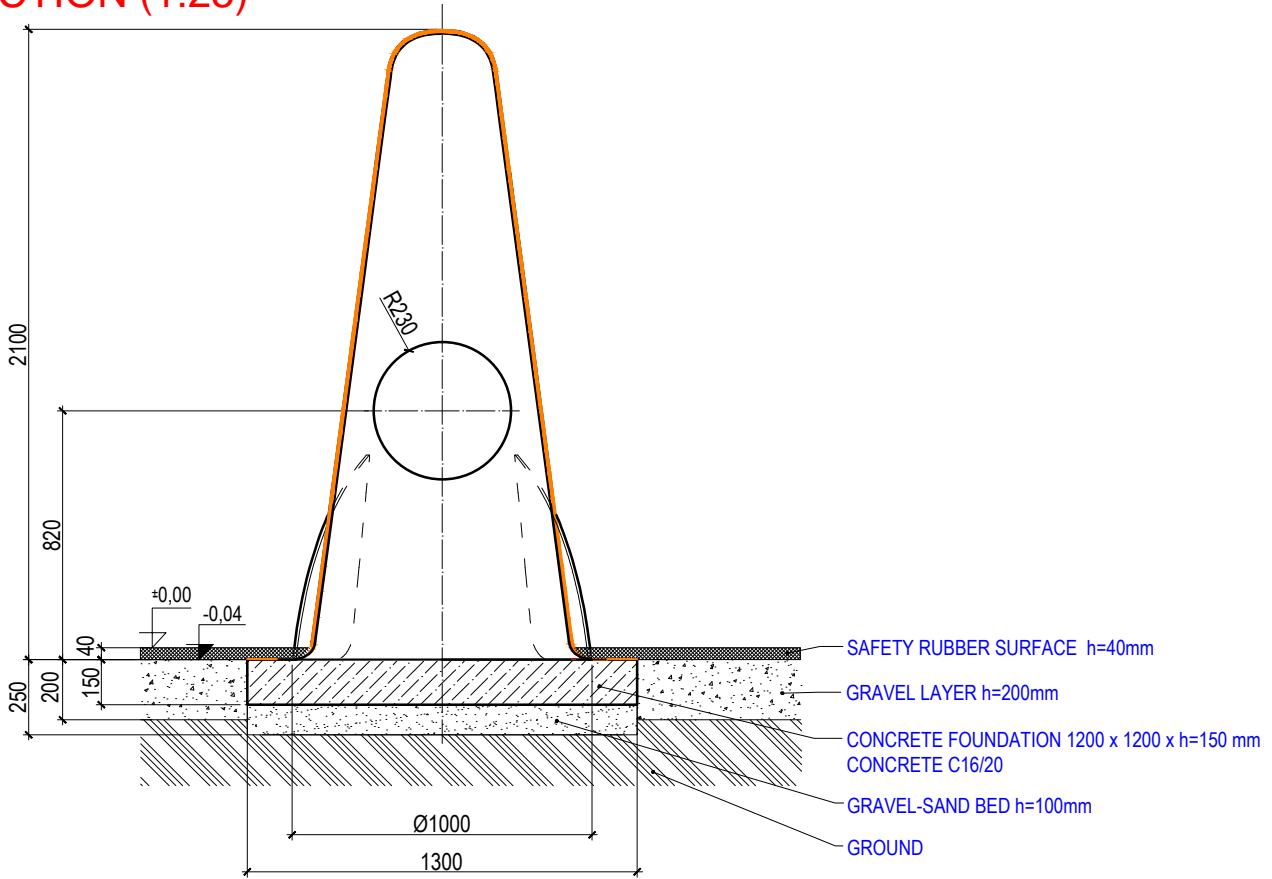
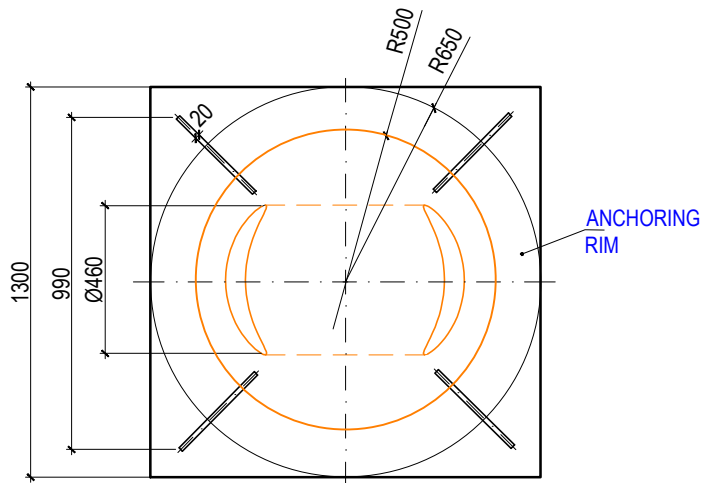


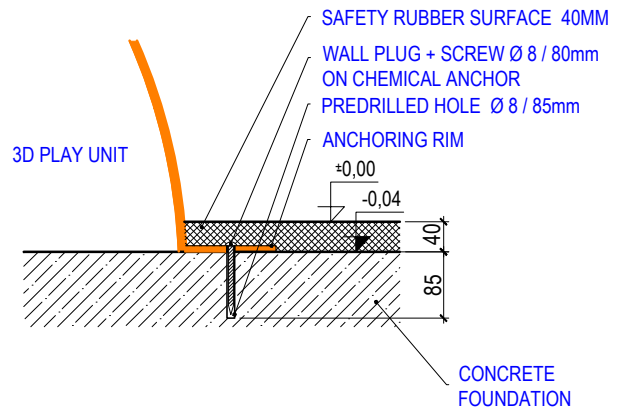
SECTION (1:25)



GROUND PLAN (1:25)



ANCHORING DETAIL (1:10)



Author:

MgA. Maxmilián Blíšák

3D PROGRAM, s.r.o.

Objízdná 1911

765 02 Otrokovice

Tel: 602 500 045

Email: info@3dprogram.eu



TECHNICAL DRAWING

Certified according to

EN71 , EN1176

Date of issue

22.2.2021

E15p, E15s - SPACE SHUTTLE

M 1:25, 1:10

format 1xA4

Foundation and anchoring - ground plan and section

E15_EN.dwg

revision 0