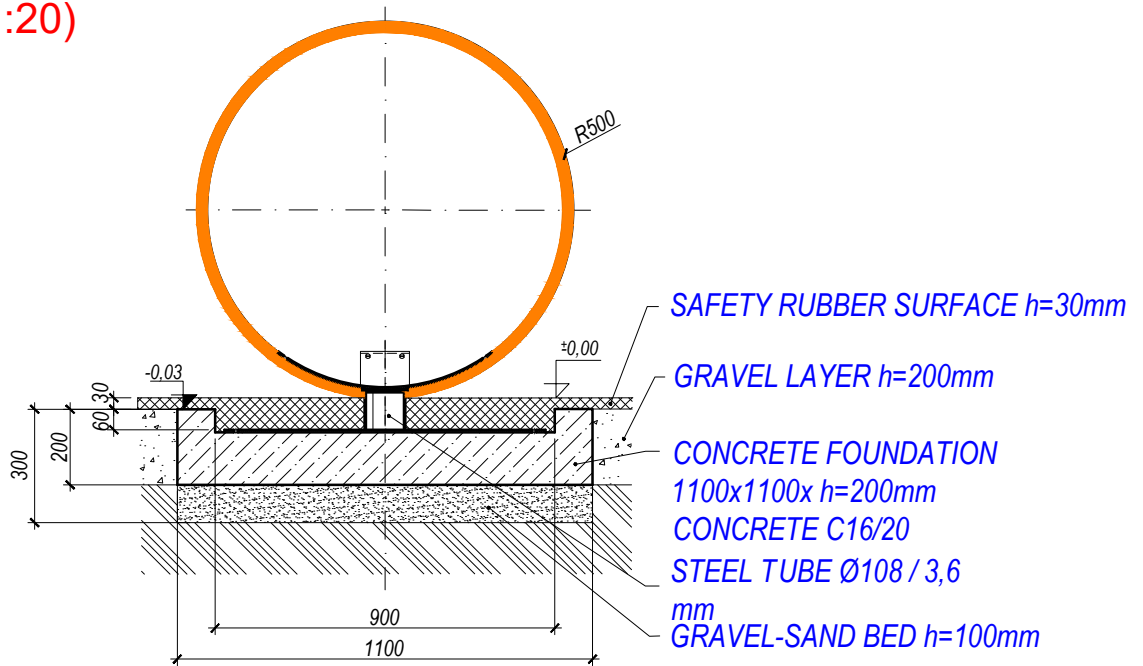
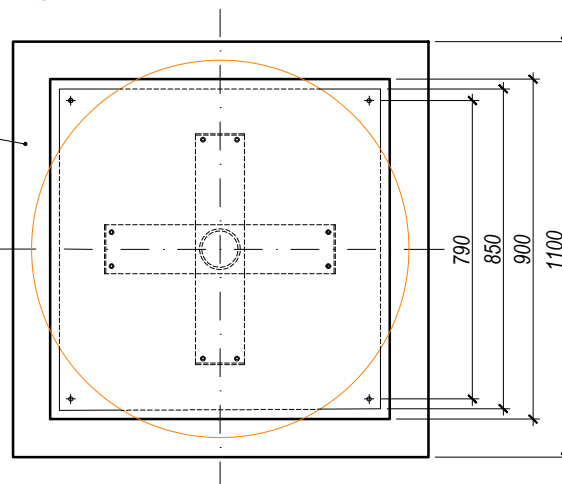


SECTION (1:20)

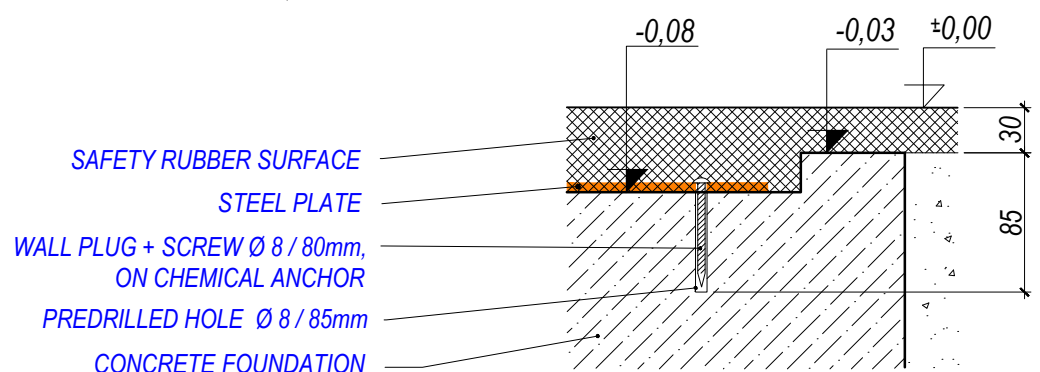


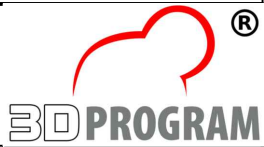
GROUND PLAN (1:20)

CONCRETE FOUNDATION
 1100x1100x $h=200\text{mm}$
 CONCRETE C16/20



ANCHORING DETAIL (1:4)



Author:		3D PROGRAM, s.r.o.	
MgA. Maxmilián Blšták		Objizdná 1911 765 02 Otrokovice, Czech Republic Tel: 602 500 045 Email: info@3dprogram.eu	
TECHNICAL DRAWING		Certified according to	EN71 , EN1176
		Date of issue	22.2.2021
SPHERE - B08b-10		M 1:20	format 1xA4
Foundation and anchoring - section		B08b_EN.dwg	revision 0